

Zhongshi Metallurgical Energy Storage Equipment R



Zhongshi Metallurgical Energy Storage Equipment R



Myanmar Zhongshi Metallurgical Energy Storage Project

This article explores the top manufacturers shaping the region's power supply landscape, their technological advancements, and how businesses can benefit from reliable energy storage

[Get Price](#)

Zhonghe green energy group energy storage

ZH Energy Storage is a leading global manufacturer of key materials and energy storage equipment for flow batteries, focusing on the research and development, manufacturing, and application of long ...



[Get Price](#)



Company News

ZH Energy was invited to attend the 3rd International Flow Battery Conference organized by WXERA and was honored with the Most Investment Value in Energy Storage Award for New-Quality ...

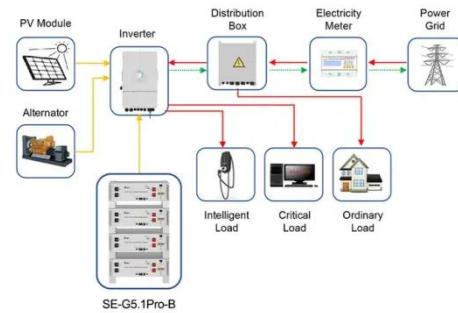
[Get Price](#)

Liquid cooling energy storage

zhongshi technology

The liquid-cooled energy storage system integrates the energy storage converter, high-voltage control box, water cooling system, fire safety system, and 8 liquid-cooled battery packs into one unit.

[Get Price](#)



Application scenarios of energy storage battery products



Shenzhen ZH Energy Storage

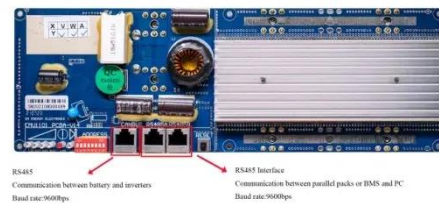
Shenzhen ZH Energy Storage Technology Co., Ltd., established in 2021, is a global leading provider of key materials and equipment for flow batteries, focusing on the development, manufacturing, and ...

[Get Price](#)

Lithuania Zhongshi Metallurgical Energy Storage Project

We provide cutting-edge energy storage systems that enable efficient power management and reliable energy supply for various scenarios including grid-tied systems, off-grid applications, and backup ...

[Get Price](#)



ES485
Communication between battery and inverters
Band rate:9600bps

ES485 Interface
Communication between parallel packs or BMS and PC
Band rate:9600bps

Zhongshi technology liquid cooling energy storage

Liquid air energy storage (LAES) is becoming an attractive thermo-mechanical storage solution for

decarbonization, with the advantages of no geological constraints, long lifetime (30-40 years),

[Get Price](#)



zhongshi technology energy storage

Shenzhen Zhonghe Energy Storage Technology is a leading developer and manufacturer of key materials and energy storage equipment for liquid flow batteries, focusing on long-duration energy ...

[Get Price](#)



Energy System in Metallurgical Industry

The energy conversion subsystem, which is at the supply side of the metallurgical energy system, converts most purchased primary energy into the secondary energy resources such as coke, gas, ...

[Get Price](#)

Contact Us

For catalog requests, pricing, or partnerships, please visit:
<https://www.k3gizycko.pl>

