

# What to do if the communication base station inverter is poor



## Overview

---

Resetting the inverter can fix minor errors and glitches. Start with a soft reset by pressing and holding the reset button to clear transient faults. More reading: <https://gr-newenergy.com> Field-Proven Tips for Installers, Distributors, and Technical Buyers Communication issues in inverter systems are often underestimated — until monitoring stops, batteries don't respond, or remote settings can't be applied. Whether you're running an off-grid home system or an industrial backup, quick diagnosis saves time and money. This guide walks through real-world inverter troubleshooting methods and matching solutions, blending industry practice, service data, and insights. These two tables provide guidance from the first indication of a fault, a poor Key Performance Indicator (KPI), to the BTS or Spectrum Master test, and finally, to the field replaceable unit. The inverter relies on real-time data from the battery. This guide is designed to help you navigate the complexities of inverter troubleshooting with ease.

## What to do if the communication base station inverter is poor

---



### Diagnosing Inverter Performance Issues

Reliability and failure rates of inverters can vary depending on the brand, model, and installation quality, but failures in other system components can also result in inverter underperformance. Use this article ...

[Get Price](#)

### Common Inverter Troubleshooting Methods and Corresponding ...

This guide walks through real-world inverter troubleshooting methods and matching solutions, blending industry practice, service data, and insights from global suppliers like TURSAN, a ...

[Get Price](#)



### 32 Common Faults in Inverters and Their Solutions

Discover the top 32 reasons for inverter failure and how to fix them with our comprehensive troubleshooting guide. Ensure your inverter is always working efficiently!

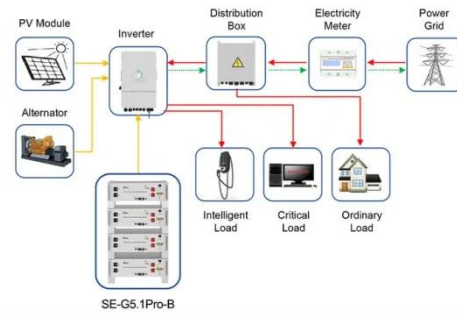
[Get Price](#)

### Step-by-Step Inverter

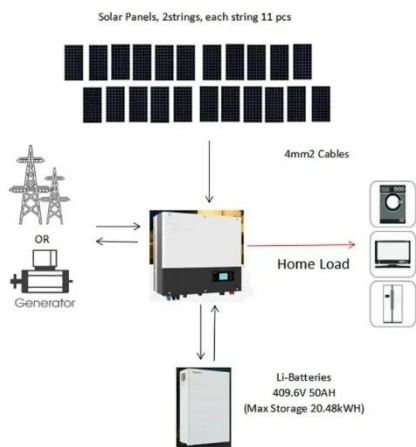
## Troubleshooting Guide , Artizono

Periodically test the inverter by connecting a small appliance to verify it produces AC power correctly, helping to spot performance issues early. Regularly check for firmware updates to ...

[Get Price](#)



Application scenarios of energy storage battery products



## Troubleshooting Common Inverter Communication Failures

Whether you're deploying PV-only, hybrid, or battery-only systems, a failed connection between devices can disrupt performance, hinder diagnostics, and frustrate customers.

[Get Price](#)

## Inverter Initial Diagnostic and Maintenance Guide final

Test the battery's ability to charge and discharge without issues. Ensure the inverter correctly manages the charge cycle and prevents overcharging or over-discharging.

[Get Price](#)



## How To Solve Inverter battery communication

Numerous factors cause solar inverter battery communication issues, some of which are engendered by personal negligence. Fortunately for us solar



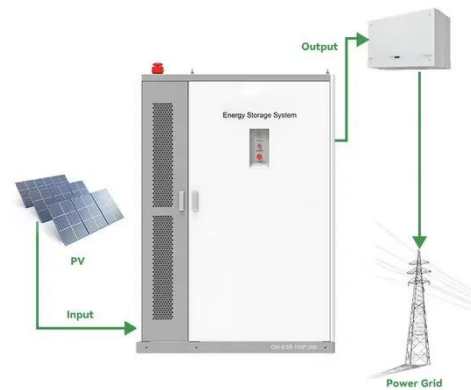
power enthusiasts, there are solutions ...

[Get Price](#)

## Communication Error between Inverter and Battery

Learn how to troubleshoot and fix communication errors between your inverter and battery system.

[Get Price](#)



## CDMA2000 1xEV-DO Base Station Troubleshooting Guide

These two tables provide guidance from the first indication of a fault, a poor Key Performance Indicator (KPI), to the BTS or Spectrum Master test, and finally, to the field replaceable unit.

[Get Price](#)

## Inverter Common Faults Solutions

During normal operation, we may encounter the inverter prompting the current limit. For general inverters that cannot work normally and smoothly when the current limit alarm appears,

the ...

[Get Price](#)



---

## Contact Us

For catalog requests, pricing, or partnerships, please visit:  
<https://www.k3gizycko.pl>

