

Vegetables can be grown under photovoltaic panels



Overview

Agrivoltaics creates ideal microclimates where shade-tolerant crops can thrive with 20-30% less water consumption. Leafy greens, root vegetables, and berries are among the top performers in solar panel farming systems. Below are some recommended crop families for agrivoltaic projects. Japan currently leads with over 2,000 agrivoltaic farms growing more than 120. Agrivoltaics refers to any type of farming or crop cultivation that occurs underneath or around solar panels. This article was updated on 28 October 2022. This innovative approach not only maximizes land use but also enhances sustainability in agriculture.

Vegetables can be grown under photovoltaic panels



What vegetables are good to grow with solar panels , NenPower

Growing vegetables beneath solar panels comes with specific advantages and challenges. Ideal crops include leafy greens such as spinach and kale, as well as root vegetables ...

[Get Price](#)

Best Crops That Thrive Under Solar Panels

Leafy greens, root vegetables, and berries are among the top performers in solar panel farming systems. Japan currently leads with over 2,000 agrivoltaic farms growing more than 120

...

[Get Price](#)



Crops Uniquely Suited to Growth in Agrivoltaic Settings

Another option is to grow indeterminate vine crops such as cucumbers or grapes on the periphery of the solar panel shadow. This might allow those crops to "crawl out," and provide ...

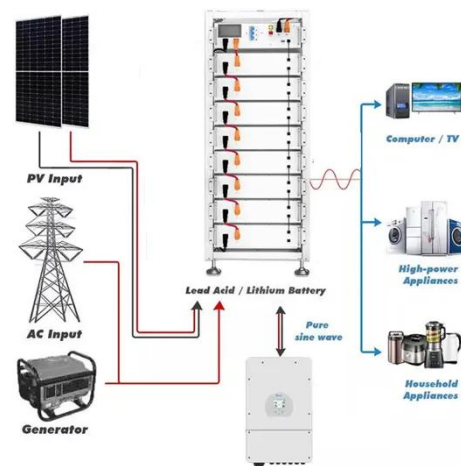
[Get Price](#)

What Crops Can Be Grown Under

Solar Panels?

When it comes to the innovative practice of growing crops under solar panels, the possibilities are quite diverse. Farmers in regions like Gujarat, Rajasthan, and Maharashtra in India have been at the ...

[Get Price](#)



What Can You Grow with Agrivoltaics? A Guide to Crops for Dual-Use

If you're considering integrating solar panels with your farming practices, understanding which crops thrive in this setup is crucial. Here's a guide to what can be grown while practicing ...

[Get Price](#)

Choosing the Right Crops for Your Solar Farm: A Decision Framework

Solar panels create partial shade, which benefits some crops but hinders others. Choose crops based on their shade tolerance: High Shade Tolerance: Leafy greens like lettuce, spinach, ...

[Get Price](#)



Best Crops for Agrivoltaics: Growing Food & Harvesting Solar Energy

By growing these crops--including flowers--under solar panels, farmers and landowners can optimize land use,

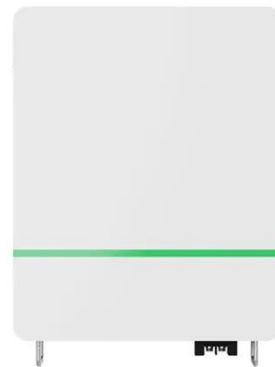
support biodiversity, and generate renewable energy simultaneously.

[Get Price](#)

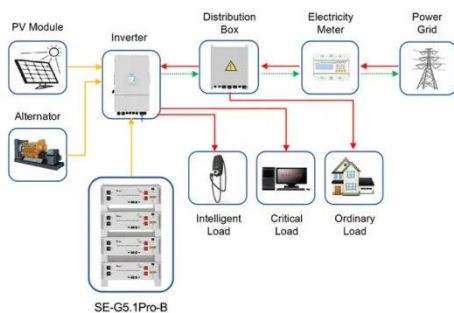


5 Crops That Thrive Under Solar Panels

Carrots, beets, and radishes, alongside other root vegetables, often improve when growing underneath solar panels. These crops require consistent soil conditions, such as stable soil temperatures and ...



[Get Price](#)



Application scenarios of energy storage battery products

Agrivoltaics: Which Crops Thrive Under Solar Panels?

Most leafy greens are suitable for growing under solar panels, as are vegetables such as tomatoes, beets, radishes, peppers, and more. Fruit trees, bushes, and grapevines also do very well ...

[Get Price](#)

What's agrivoltaic farming? Growing crops under solar panels , World

Agrivoltaic farming is the practice of growing crops underneath solar panels.

Scientific studies show some crops thrive when grown in this way. Doubling up on land use in this way could ...

[Get Price](#)



Contact Us

For catalog requests, pricing, or partnerships, please visit:
<https://www.k3gizycko.pl>

