

The prospects of vanadium-titanium battery energy storage



Vanadium battery energy storage projects have a better prospect of ...

Vanadium battery technology is one of the representative new chemical energy storage technologies, with good prospects and a steady increase in market share in the future.

[Get Price](#)

Energy Storage Boom Drives Vanadium Use In Long-Duration ...

Furthermore, vanadium's role in the growing energy storage sector is expected to increase dramatically over the coming years as a result of increased deployment of renewable energy projects.



[Get Price](#)



New Energy-Storage Metal Vanadium Resources: Demand Prediction ...

Considering the unit vanadium consumption of the vanadium redox flow battery, it predicts the demand trend of vanadium resources in the energy storage field under three scenarios: high-speed, ...

[Get Price](#)

Prospects for industrial vanadium flow batteries

Energy authorities in several countries (e.g. US DOE) state a target lifespan of 5000 cycles for energy storage systems, however many studies and producer datasheets pinpoint a VFB ...



[Get Price](#)



Promising Prospects for Vanadium Flow Battery Technology

Energy storage, including vanadium flow battery technology, is gaining significant traction. As investments in energy storage and battery value chains surge, there is a clear ...

[Get Price](#)

Vanadium energy storage technology research progress and industry

This paper highlights the development status of vanadium liquid flow batteries, the distribution of vanadium ore resources, and makes relevant suggestions for the development of vanadium liquid ...



[Get Price](#)

Vanadium Battery for Energy Storage Decoded: Comprehensive ...

Discover the booming vanadium battery market for energy storage. This in-depth



analysis reveals market size, growth projections (CAGR 15%), key drivers, trends, and leading companies, ...

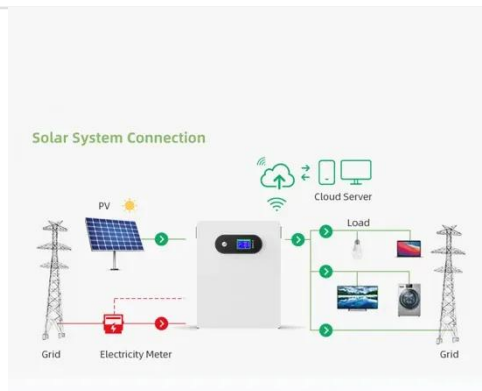
[Get Price](#)

How about vanadium titanium energy storage , NenPower

The investment in vanadium titanium energy storage technologies is poised to yield significant economic and ecological dividends, paving the way for a cleaner and more resilient ...



[Get Price](#)



Vanadium-titanium battery energy storage

With the escalating utilization of intermittent renewable energy sources, demand for durable and powerful energy storage systems has increased to secure stable electricity

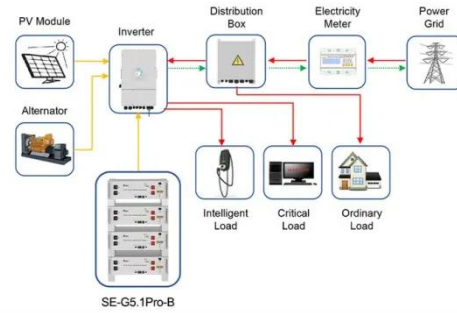
[Get Price](#)

Mine the gap: Sourcing vanadium for the energy transition

By aligning technological innovation with strategic resource management, vanadium can both advance the energy transition through energy storage and

serve as an exemplar for building ...

[Get Price](#)



Application scenarios of energy storage battery products

Contact Us

For catalog requests, pricing, or partnerships, please visit:
<https://www.k3gizycko.pl>

