

The latest cost of solar photovoltaic power generation



Overview

Discover 2025 solar power costs: \$2. Get state pricing, tax credits, ROI calculations & savings estimates. The latest cost analysis from IRENA shows that renewables continued to represent the most cost-competitive source of new electricity generation in 2024. Total installed costs for renewable power decreased by more than 10% for all technologies between 2023 and 2024, except for offshore wind, where. Each year, the U. Department of Energy (DOE) Solar Energy Technologies Office (SETO) and its national laboratory partners analyze cost data for U. These benchmarks help measure progress toward goals for reducing solar electricity costs. Average price of solar modules, expressed in US dollars per watt, adjusted for inflation. Data source: IRENA (2025); Nemet (2009); Farmer and Lafond (2016) – Learn more about this data Note: Costs are expressed in constant 2024 US\$ per watt. Historic Low Pricing: Solar costs have reached unprecedented lows in 2025, with systems ranging from \$2. Federal Tax Credit Urgency: With. NLR analyzes the total costs associated with installing photovoltaic (PV) systems for residential rooftop, commercial rooftop, and utility-scale ground-mount systems. Technologies with limited commercial experience might.

The latest cost of solar photovoltaic power generation



Cost and Performance Characteristics of New Generating ...

The input value used for onshore wind in AEO2023 was \$1,566 per kilowatt (kW), and for solar PV with tracking, it was \$1,443/kW, which represents the cost of building a plant excluding regional factors.

[Get Price](#)

Renewable Power Generation Costs in 2024

The latest cost analysis from IRENA shows that renewables continued to represent the most cost-competitive source of new electricity generation in 2024.

[Get Price](#)



Solar Installed System Cost Analysis , Solar Market Research

NLR analyzes the total costs associated with installing photovoltaic (PV) systems for residential rooftop, commercial rooftop, and utility-scale ground-mount systems.

[Get Price](#)



Latest Solar Price Chart and Dashboardo Carbon Credits

Solar prices across the world's most active residential, utility, and commercial PV (Photovoltaics) markets.

[Get Price](#)



Solar Photovoltaic System Cost Benchmarks

Market analysts routinely monitor and report the average cost of PV systems and components, but more detail is needed to understand the impact of recent and future technology developments on cost.

[Get Price](#)

Renewable electricity - Renewables 2025 - Analysis

Globally, renewable power capacity is projected to increase almost 4 600 GW between 2025 and 2030 - double the deployment of the previous five years (2019-2024). Growth in utility-scale and distributed solar PV more ...

[Get Price](#)



 LFP 12V 200Ah

Solar Power Cost Guide 2025: Complete Pricing & Savings

Solar power costs in 2025 represent exceptional value for most homeowners,



with system prices at historic lows and electricity rates continuing to rise. The combination of the 30% federal tax credit, improving ...

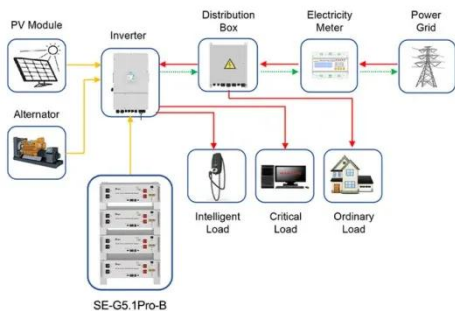
[Get Price](#)

2026 Solar Panel Costs: Ultimate Guide to Pricing and Savings

Is the price of solar panels falling? The price of solar panels has declined substantially over the last decade as the industry has matured and reached production at the largest global scale. Since 2010, the cost to install ...



[Get Price](#)



Application scenarios of energy storage battery products

Solar photovoltaic panel prices

Average price of solar modules, expressed in US dollars per watt, adjusted for inflation.

[Get Price](#)

IRENA's 2024 Renewable Power Generation Costs Report Confirms

In 2024, solar photovoltaics (PV) were on average 41% cheaper than the lowest-cost fossil fuel alternatives, while

onshore wind was 53% cheaper. Onshore wind also remained the lowest-cost source of ...

[Get Price](#)



Contact Us

For catalog requests, pricing, or partnerships, please visit:
<https://www.k3gizycko.pl>

