

Solar inverter three-phase voltage range



Overview

Our three phase ground mount, rooftop, carport inverters are ideal for driving more power and more safety into broad range of commercial projects: 1. Deliver up to 10% more energy by pairing with our Powe.

Solar inverter three-phase voltage range



3 Phase Solar Power Inverter - Complete Guide and Product ...

A 3 phase solar power inverter is indispensable for larger homes and businesses that need robust, efficient power conversion. By distributing loads across three phases, these inverters ...

[Get Price](#)

3-Phase Solar Inverter , 3 Phase PV Inverter , Price, Working, Types

In India, typical low-voltage service is about 230 V single-phase and 400/415 V three-phase at 50 Hz. The 3-phase solar inverters can be used with solar systems as large as 100 kW and ...



[Get Price](#)



Three Phase Commercial Solar Inverters , SolarEdge US

Maximize energy production, safety, and achieve significant savings in Balance of System (BoS) and Operations and Maintenance (O& M) costs with our range of innovative and lightweight three phase ...

[Get Price](#)

What Is A 3 Phase Solar Inverter?

Learn all you need about 3 phase solar inverters and 3 phase supply, pros & cons, and solar options for 3 phase supply.

[Get Price](#)



Three Phase Inverters for the 277/480V Grid DS-00070

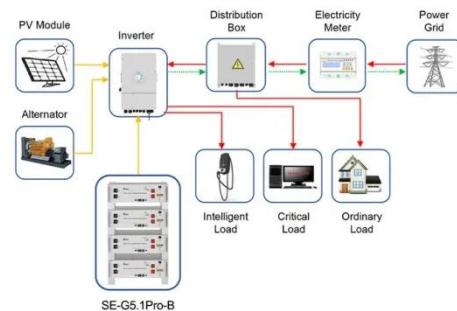
For other regional settings please contact SolarEdge support. Where permitted by local regulations. For details, see Set Volt-Ampere at Night - Application Note. For power derating information refer to the ...

[Get Price](#)

Inverter Specifications and Data Sheet

Peak Power Tracking Voltage. This is the DC voltage range in which the inverter's maximum power point tracker operates. Start Voltage. This value is the minimum DC voltage required for the inverter ...

[Get Price](#)



Application scenarios of energy storage battery products

What You Need to Know About Three-Phase Solar Inverters

A three-phase solar inverter converts DC to AC power, distributing it across three phases for efficient energy use, ideal for

high-power systems.

[Get Price](#)



What is the input voltage range of an on grid three phase solar

In general, most on grid three phase solar inverters have an input voltage range of between 200V and 1000V DC. This means that the inverter can accept DC electricity from your solar panels as long as ...



[Get Price](#)



Solis 250-350kW Three Phase Grid-Tied Inverter_Solar inverter

With our high current rated DC inputs, systems can realize full capacity as well of their PV modules. Our system supports ease of installation with MC4 connectors, while maintenance is streamlined with ...

[Get Price](#)

What is Three Phase Inverter?

A common three-phase inverter series accepts a phase voltage range of 170-280V and a line voltage range of

305-485V during the AC to DC conversion. In this context, a three-phase solar ...

[Get Price](#)



Contact Us

For catalog requests, pricing, or partnerships, please visit:
<https://www.k3gizycko.pl>

