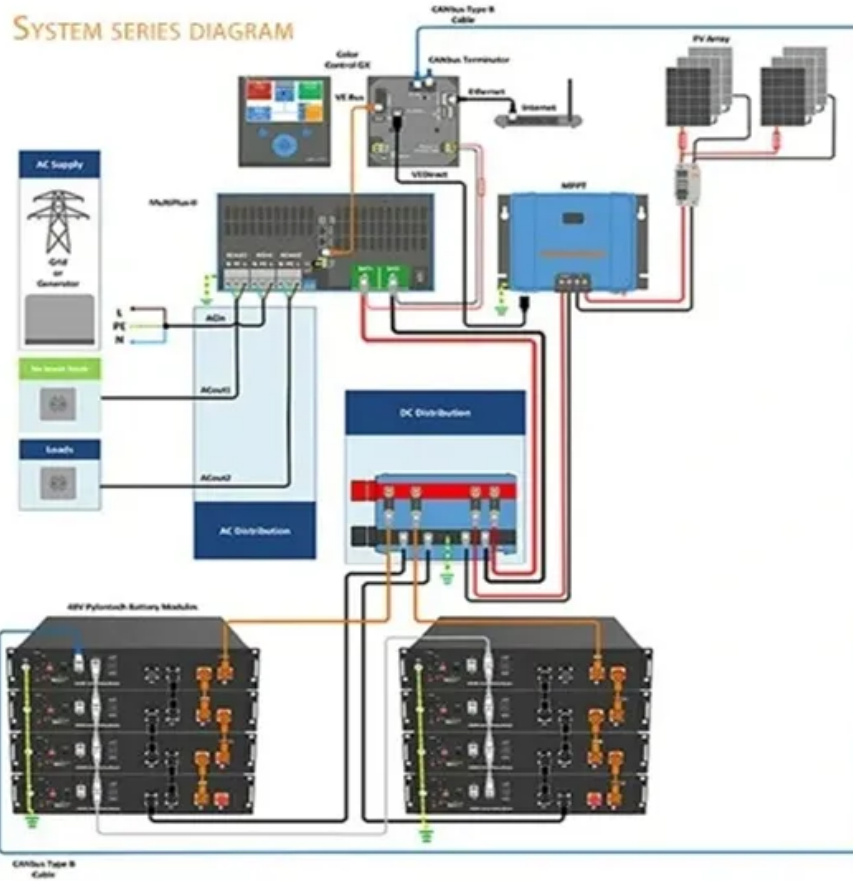


Solar container lithium battery pack internal specifications



Solar container lithium battery pack internal specifications

Specification of 5MWh Battery Container System



The battery cell adopts the lithium iron phosphate battery for energy storage. At an ambient temperature of 25°C, the charge-discharge rate is 0.5P/0.5P, and the cycle life of the cell (number of cycles) ≥ 8000 times.

[Get Price](#)

1 MW/ 1 MWh energy storage system

The battery unit uses sea-based 120 Ah batteries, the battery module adopts the 2P16 S combination method, and the battery cluster adopts a 700-1500 V voltage system design scheme. The container is designed as a ...



[Get Price](#)

5MWh BESS Product Specification



The battery pack consists of 104 cells and 1 BMU (Battery Management Unit). Each battery pack includes 64 NTC temperature sampling points and 104 cell voltage sampling points.

[Get Price](#)

Energy Storage Container Batteries:

Key Specifications, Models, and

Discover the critical specifications, popular models, and real-world applications of energy storage container batteries. This guide simplifies technical details while highlighting how these solutions empower industries ...

[Get Price](#)



BATTERY ENERGY STORAGE SYSTEM CONTAINER, BESS CONTAINER

It consists of a fundamental container enclosure body, pre-equipped with a battery rack. This foundational setup gives our clients the freedom to integrate additional components as they see fit, enabling a truly customized ...

[Get Price](#)

Battery Energy Storage System Container , BESS

A containerized energy storage system (often referred to as BESS container or battery storage container) is a modular unit that houses lithium-ion batteries and related energy management ...

[Get Price](#)



What are the requirements for lithium battery solar container

Learn about the shipping requirements for lithium battery dangerous goods via sea freight, including classifications,

general requirements, container packing

[Get Price](#)



BATTERY ENERGY STORAGE SYSTEMS

"The following table gives the overall dimensions and the minimum internal dimensions and door openings for general purpose containers as standardized in ISO 668" (Hapag-Lloyd, 2016):

[Get Price](#)



Containerized energy storage , Microgreen.ca

It is the global volume leader among Tier 1 lithium battery suppliers with plant capacity of 77 GWh (year-end 2019 data). Range of MWh: we offer 20, 30 and 40-foot container sizes to provide an energy ...

[Get Price](#)

Battery Energy Storage System Components

Explore the key components of a battery

energy storage system and how each part contributes to performance, reliability, and efficiency.

[Get Price](#)



Contact Us

For catalog requests, pricing, or partnerships, please visit:
<https://www.k3gizycko.pl>

