

Solar Photovoltaic Power Generation Installation Qualification



Overview

Click here to print or download a copy of the NABCEP PV Career Pathways Brochure. The PV Installation Professional (PVIP) Board Certification is considered the gold standard for PV professionals in the renewable energy industry. The Clean Energy States Alliance (CESA) as part of its Sustainable Solar Education Project. Environmental Protection Agency (EPA) to assist builders in designing and constructing homes equipped with a set of features that make the installation of solar energy systems after the completion of the home's. Financial Impact is Substantial: Properly commissioned solar systems deliver 2-8% higher energy production over their lifetime compared to inadequately tested systems, while improperly commissioned systems experience 2-3x higher failure rates in the first five years, potentially costing. With the tremendous growth of solar installations and the continuing evolution of licensing requirements for photovoltaic and solar installers, IREC's National Solar Licensing Database provides information and references to the licensing, certification, and other requirements impacting the solar. The North American Board of Certified Energy Practitioners (NABCEP) is a nationally-recognized, independent, voluntary certification program for photovoltaic (PV) and solar-heating system installers, that can be earned to demonstrate specific skills or knowledge. To become NABCEP-certified.

Solar Photovoltaic Power Generation Installation Qualification



Photovoltaic Installer Level 1 (PVI1)

This competency serves to identify the major knowledge, skills and standards areas in which a Photovoltaic Installer (PVI) needs to be proficient in order to perform the professional tasks ...

[Get Price](#)

NABCEP Board Certifications

Since 2007, NABCEP's PV Installation Professional Certification has met the vigorous standards for accreditation under the ISO/IEC 17024:2012 General Requirements for Bodies Operating ...

[Get Price](#)

- LiFePO₄
- Wide temp: -20°C to 55°C
- Easy to expand
- Floor mount&wall mount
- Intelligent BMS
- Cycle Life:≥6000
- Warranty :10 years



Solar Energy

Solar energy is radiant energy from the sun--a fully renewable energy resource. We use the solar resource to provide daylight, electricity, and heat in four ways (in order of prevalence): Solar PV is ...

[Get Price](#)

Solar Energy

There are two main types of solar energy technologies--photovoltaics (PV) and concentrating solar-thermal power (CSP). On this page you'll find resources to learn what solar ...

[Get Price](#)



Solar Photovoltaic: SPECIFICATION, CHECKLIST AND GUIDE

The RERH specifications and checklists take a builder and a project design team through the steps of assessing a home's solar resource potential and defining the minimum structural and system ...

[Get Price](#)

Solar Photovoltaic System Installer

The Solar Photovoltaic (PV) System Installer curriculum helps learners seeking careers as entry level or advanced solar PV installation technicians in this fast-growing field. This one-level curriculum is ...

[Get Price](#)



Solar Certification: How to Become a Certified Solar Installer

Each solar certification requires 10 hours of OSHA construction industry safety training, taking solar energy training, passing a written exam, and meeting the

solar installation experience ...

[Get Price](#)

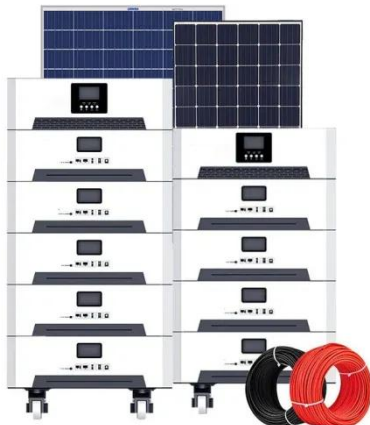


Application scenarios of energy storage battery products

2026 Guide to Balcony & Plug-In Solar

Can you really plug a solar panel into a wall outlet? Discover how balcony solar works, state-by-state laws, and how much you can save.

[Get Price](#)



Standards and Requirements for Solar Equipment, Installation, ...

Installation on of rooftop solar PV systems raises issues related to building, fire, and electrical codes. Because rooftop solar is a relatively new technology and often added to a building ...

[Get Price](#)

To lower electric bills, consumers quietly install DIY solar

Plug-in solar has remained in the shadows because of a lack of safety standards and often costly requirements

imposed by utilities, but that's changing.

[Get Price](#)



Solar Photovoltaic: SPECIFICATION, CHECKLIST AND GUIDE

Comprehensive guide to solar commissioning procedures, testing requirements, and performance verification for residential, commercial, and utility-scale PV systems.

[Get Price](#)

Your guide to home solar in 2026

Home solar panels are rapidly becoming mainstream. We'll help you decide if a home solar panel system is right for you.

[Get Price](#)



Solar Licensing Database

IREC's National Solar Licensing Database provides the latest licensing, certification, and other requirements impacting the solar industry.

Solar energy , Definition, Uses, Examples, Advantages, & Facts

Solar energy is radiation from the Sun that is capable of producing heat, causing chemical reactions, or generating electricity. The total amount of solar energy incident on Earth is ...



[Get Price](#)



FPL , Energy My Way , Solar

Solar energy is one of the most cost-effective forms of new power generation we can invest in on behalf of customers. Learn more about how solar energy works and why solar sites make good neighbors.

[Get Price](#)

Solar energy

Solar technologies are categorized as either passive or active depending on the way they capture, convert and distribute sunlight and enable solar energy to be harnessed at different levels around the ...

[Get Price](#)

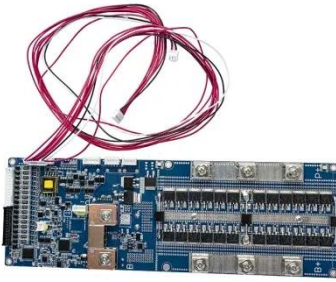


Solar Commissioning Guide: Complete PV System Testing

Comprehensive guide to solar commissioning procedures, testing requirements, and performance verification for residential, commercial,

and utility-scale PV systems.

[Get Price](#)



Small Solar Photovoltaic Systems qualifications and training courses

This qualification provides a comprehensive understanding of the specific and supplementary requirements related to the design, installation, and maintenance of solar photovoltaic ...

[Get Price](#)



Test certification
CE FC



Solar Energy - SEIA

Solar power is energy from the sun that is converted into thermal or electrical energy. Solar energy is the cleanest and most abundant renewable energy source available, and the U.S. has some of the ...

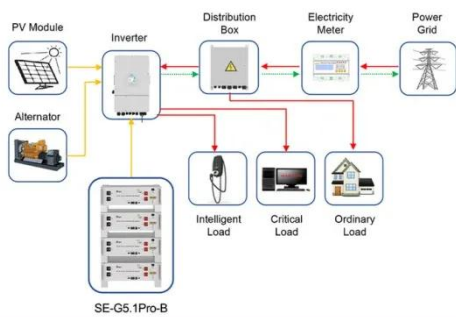
[Get Price](#)

State Licensing Requirements

Most states require a licensed electrical or plumbing contractor for PV and solar-thermal systems, respectively. Some states require solar installers to obtain a

separate, specialized solar contractor's
...

[Get Price](#)



Application scenarios of energy storage battery products

Florida Solar Incentives, Tax Credits, and Rebates (2026 Data)

Florida solar incentives, rebates, and tax credits can save homeowners thousands of dollars on solar panels. Find out how to qualify, apply, and calculate your savings.

[Get Price](#)

Contact Us

For catalog requests, pricing, or partnerships, please visit:
<https://www.k3gizycko.pl>

