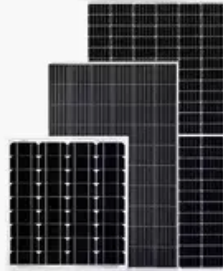


Rotating photovoltaic panel case diagram



Solar Panel



PV Combiner Box



Lithium Battery



Hybrid Inverter



Rotating photovoltaic panel case diagram



Rotating Solar Panel Using Arduino

Photovoltaic boards should be opposite with the sun to get most extreme energy. The approach utilized in this work incorporates the execution of an Arduino based sun powered global positioning framework.

[Get Price](#)

Rotating photovoltaic panel case analysis diagram

Based on the analysis of 116 considered studies, it is concluded that photovoltaic (PV), photovoltaic/thermal (PV/T), and concentrated solar power systems (CSP)



[Get Price](#)



Schematic diagram of methodology (a) rotating solar ...

In order to increase the amount of solar radiation reaching a solar panel, and hence increase its performance, a tracking system might be used.

[Get Price](#)

ROTATING SOLAR PANEL USING ARDUINO

The Rotating Solar Panel system scans from one horizon to other to know the current position of sun and hence the position from which the greater solar energy can be harnessed.

[Get Price](#)



Schematic diagram of the principle of automatic rotating ...

This paper discusses the design and implementation of a rotating solar panel using Arduino UNO and stepper motors for maximum collection of solar energy. The paper

[Get Price](#)

Project: Arduino Solar Panel Tracker System Analysis

This project details the development of a rotating solar panel system using an Arduino UNO microcontroller, stepper motors, and LDR sensors to maximize solar energy capture.

[Get Price](#)

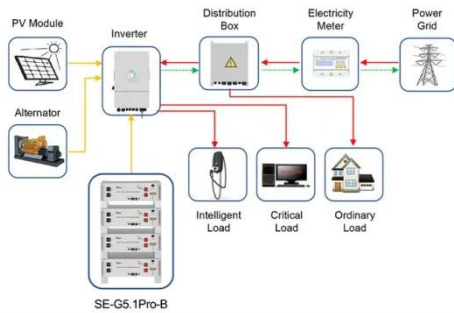


Rotating photovoltaic panel case diagram

Download scientific diagram , Electrical circuit diagram of dual axis light-sensitive rotating solar panel. from publication: Design and fabrication of

microcontroller-based dual axis light

[Get Price](#)



Application scenarios of energy storage battery products

Systems and methods for rotatably mounting and locking solar panels

A drive mechanism includes a drive shaft, pinion gear coupled to the drive shaft, and arc gear coupled to a solar panel, and a locking mechanism includes a lock plate coupled to the arc gear

[Get Price](#)



Rotating Solar Panel Tracking System

The document describes a project to build a rotating solar panel that tracks the sun to increase electricity production.

[Get Price](#)

Rotating-Solar-Panel/Block Diagram-Model.pdf at master

Designed a rotating solar panel to maximize power generation efficiency. Programmed using an Arduino microcontroller in C++ and drew

schematics on AutoCAD - Rotating-Solar-Panel/Block Diagram ...

[Get Price](#)



Contact Us

For catalog requests, pricing, or partnerships, please visit:
<https://www.k3gizycko.pl>

