

Price of home energy storage system in Cameroon



Overview

As of most recent estimates, the cost of a BESS by MW is between \$200,000 and \$450,000, varying by location, system size, and market conditions. This translates to around \$200 - \$450 per kWh, though in some markets, prices have dropped as low as \$150 per kWh. Ever wondered how Cameroon's famous coffee stays fresh without refrigeration in rural areas?

Enter solar energy storage batteries – the unsung heroes powering everything from farm irrigation to mobile phone charging stations. With 60% of Cameroon's population lacking reliable grid electricity. Summary: Rising electricity costs and frequent outages in Douala make home energy storage systems essential. Here are the key questions or those who want to lead the way. [pdf] [FAQS about How much. Lithium battery storage systems have emerged as a cost-effective solution to stabilize power supply and integrate renewable energy sources like solar.

Price of home energy storage system in Cameroon



Cameroon energy storage battery prices

innovative battery storage technology. Average battery energy storage capital costs in 2019 were \$589 per kilowatthour (kWh), and battery storage costs fell by 72% between 2015 and 2019, a 27% per ...

[Get Price](#)

Home Energy Storage System Quote in Douala: Your Guide to ...

This guide explores costs, benefits, and installation insights for solar battery systems in Cameroon - including real-world pricing examples and tips for long-term savings.

[Get Price](#)



COST OF ENERGY STORAGE CABINETS ON THE GRID SIDE IN ...

How much does a photovoltaic energy storage cabinet cost Basic models can start from around \$1,000 while more advanced systems may exceed \$5,000 or more, depending on the specifications and ...

[Get Price](#)



Lithium Battery Energy Storage

Price in Douala, Cameroon: 2024 ...

Lithium battery storage systems have emerged as a cost-effective solution to stabilize power supply and integrate renewable energy sources like solar. Let's explore current pricing trends and applications ...

[Get Price](#)



Cameroon Household Solar-Storage System Successfully Deployed, ...

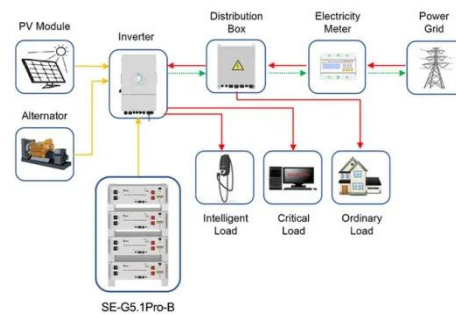
This project is not only one of the many small-scale solar-storage deployments delivered by Highjoule (HJ Group) but also a demonstration of the company's comprehensive capabilities in ...

[Get Price](#)

CAMEROON PHOTOVOLTAIC ENERGY STORAGE SYSTEM ...

Photovoltaic energy storage cabinets are designed specifically to store energy generated from solar panels, integrating seamlessly with photovoltaic systems. [pdf]

[Get Price](#)



Application scenarios of energy storage battery products

CAMEROON ENERGY STORAGE CONTAINER PRICES

CAMEROON ENERGY STORAGE CONTAINER PRICES. Our certified energy specialists provide round-the-clock monitoring and support for all installed



home energy storage systems.

[Get Price](#)

Solar Energy Storage Battery Prices in Cameroon: Trends, Costs, and ...

Let's break down what you need to know about solar energy storage battery prices in Cameroon and why your neighbor probably regrets buying that diesel generator last rainy season.



[Get Price](#)



Solar Energy Storage System Prices in Cameroon: Costs, Trends, and

Price Breakdown: What You're Really Paying For Wait, no - let's correct that. A typical 5kW solar storage system here ranges from XAF 4.5M to XAF 9M (\$7,200-\$14,400). This isn't just about ...

[Get Price](#)

Cameroon pv energy storage system prices

hydrogen's energy storage capabilities. The combinations used are WT/ T, PV/BT, PV/WT/BT, WT/FC, and PV/WT/BT. According to Zhang et al., the PV/WT/BT

combination is the most cost-effective
and ...

[Get Price](#)



Contact Us

For catalog requests, pricing, or partnerships, please visit:
<https://www.k3gizycko.pl>

