

Photovoltaic solar panel packaging design specifications



Overview

A typical solar panel packaging consists of a cardboard box with the footprint of a pallet and houses between 26 to 36 panels in the box. Select the plus sign in the rows below for more information about each specification. The key parameters are as follows: Output (that work together to convert sunlight into electricity). The main components of a PV system include: Solar panel he sum wi laced in row and by. Photovoltaic modules are available at various price points, efficiency levels, and power ratings (wattage); hence, each application for PV must be analyzed to decide which technology and system design for that application is the most appropriate. Future movement to align certification standards testing to real world failures. Flexibility for thermal expansion. Typical bulk silicon module materials. UFP Packaging is a leading supporter of the thriving solar industry and has actively produced solar module packaging for the past decade.

Photovoltaic solar panel packaging design specifications



Updated Solar Photovoltaic (PV) Specification

"Packaging Requirements for ITO-Hardened CIGS"

[Get Price](#)

Solar Module Pallet Packaging , UFP Packaging

While plastic is a useful solar module packaging material, its overuse poses sustainability and cost challenges. Responding to the global call for reducing plastic waste, UFP Packaging is committed to ...



[Get Price](#)



Photovoltaic panel packaging specifications and models

From robust reusable packaging options like BOS bulk bins and solar module pallets to packaging consulting and turnkey logistics services, we believe in win/win solutions that are better for people ...

[Get Price](#)

Custom Reusable Solar Packaging

Our team collaborates with you to create a conceptual design tailored to your specific requirements. Once aligned on a design, we provide a clear scope, timeline, and cost for the project. We deliver ...

[Get Price](#)



4 Keys to the Most Reliable Solar Panel Packaging

We share 4 tips from our packaging designers in creating the most reliable solar panel boxes on the market, to protect the solar panels before they reach your door.

[Get Price](#)

Photovoltaic panel warehouse packaging solution design

PVpallet"s reusable solar panel pallets can be adjusted to fit a range of panel sizes and are purpose-built with added features like protective sidewalls, a steel-reinforced base, and an efficient load ...

[Get Price](#)



Technical Specifications for On-site Solar Photovoltaic Systems

Customizable template for federal government agencies seeking the construction of one or more on-site solar

PV systems.

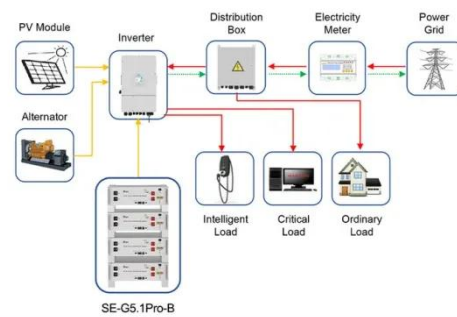
[Get Price](#)



Updated Solar Photovoltaic (PV) Specification

Photovoltaic modules are available at various price points, efficiency levels, and power ratings (wattage); hence, each application for PV must be analyzed to decide which technology and system design for ...

[Get Price](#)



Application scenarios of energy storage battery products



Latest photovoltaic panel packaging technical specifications

The Federal Energy Management Program (FEMP) provides this tool to federal agencies seeking to procure solar photovoltaic (PV) systems with a customizable set of technical specifications.

[Get Price](#)

Photovoltaic panel packaging model design specifications

In the photovoltaic (PV) solar power plant projects, PV solar panel (SP)

support structure is one of the main elements and limited numerical studies exist on PVSP ground mounting steel frames to

[Get Price](#)



Microsoft PowerPoint

"Packaging Requirements for ITO-Hardened CIGS"

[Get Price](#)

Contact Us

For catalog requests, pricing, or partnerships, please visit:
<https://www.k3gizycko.pl>

