

Photovoltaic panels radiation protection



Overview

Solar panels emit non-ionizing radiation, which is generally considered safe for human exposure. Non-ionizing radiation includes electromagnetic fields (EMFs) from various household devices like Wi-Fi routers, mobile phones, and microwaves. The real issue is that the solar panel system, or photovoltaic system, creates dirty electricity that ultimately radiates EMF radiation into the home. The other concern comes from “smart meters” installed to. Solar technology poses minimal radiation risks when properly installed, though understanding the complete picture helps you make informed decisions. EMF radiation comes in two main types: ionizing and non-ionizing. It's important to separate myths from facts and provide clear, evidence-based answers to these concerns.

Photovoltaic panels radiation protection



Do Solar Panels Emit Radiation - The Complete Guide

Do solar panels emit radiation? Find out the truth about EMF radiation from solar panels, inverters, and smart meters -- and how to stay protected.

[Get Price](#)

Solar energy and the environment

Solar energy technologies and power plants do not produce air pollution or greenhouse gases when operating. Using solar energy can have a positive, indirect effect on the environment when solar ...



[Get Price](#)



EMF Radiation From Solar Panels (& Dirty Electricity)

Solar panels do emit EMF radiation to some degree except at night or when not in use. However, while the EMF radiation levels given off by solar panels has been marked as safe, those who are sensitive ...

[Get Price](#)

Radiation and Solar Panels: What Homeowners Should Know

The short answer is no. Solar installations do not emit dangerous ionising radiation. Instead, what they do generate is extremely low levels of electromagnetic fields (EMFs). Source of ...

[Get Price](#)



Do Photovoltaic Panels Pose a Radiation Hazard? Let's Demystify the

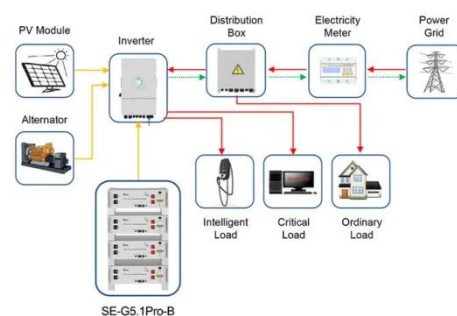
A 2023 NREL study found that at 1 meter distance, PV systems emit 0.1% to 2% of the International Commission on Non-Ionizing Radiation Protection limits. You'd need to hug your panels 24/7 to even ...

[Get Price](#)

Do Solar Panels Emit Radiation? Safety and EMF Explained

Learn whether solar panels emit harmful radiation, the types of radiation involved, and how to minimize exposure from inverters and smart meters in solar power systems.

[Get Price](#)



Application scenarios of energy storage battery products

A Comprehensive Analysis of Whether Photovoltaic Systems Emit Radiation

This article provides a thorough analysis



of electromagnetic radiation in photovoltaic systems, addressing health concerns. It compares the radiation levels of PV systems with household ...

[Get Price](#)

Do Solar Panels Emit Radiation? EMF Facts & Safety Guide

Solar panels don't emit the dangerous ionizing radiation that causes cancer. Instead, they create weak electromagnetic fields similar to standard household electronics.

[Get Price](#)



Hail Damage Mitigation for PV Systems , Department of ...

Outlines measures and best practices that can be taken to limit damage to solar photovoltaic (PV) modules.

[Get Price](#)



Comprehensive PPE Solutions for Solar Energy Panel Safety

Lakeland provides a full range of PPE for workers in the photovoltaic or solar energy and photovoltaic industry, and choosing Lakeland means professional

and reliable protection.

[Get Price](#)



Contact Us

For catalog requests, pricing, or partnerships, please visit:
<https://www.k3gizycko.pl>

