

Photovoltaic panel spacing size



Photovoltaic panel spacing size



Optimize Solar Panel Performance Through Edge Spacing Design

Precise cell-to-edge spacing is critical for PV module safety and performance. This guide provides industry-verified standards for different cell technologies, with spacing requirements ranging from ...

[Get Price](#)

Solar Panel Size & Dimensions Guide 2025 , Complete Specs

In this comprehensive guide, you'll learn everything you need to know about solar panel sizing, from standard dimensions to weight considerations, helping you determine the perfect solar solution for your ...



[Get Price](#)



Rooftop Solar PV Design Guide: Tilt Angle, Row Spacing, and Bifacial

Complete guide to rooftop solar PV design: tilt angles, row spacing, bifacial panels, shading control, and layout tips for flat roof systems.

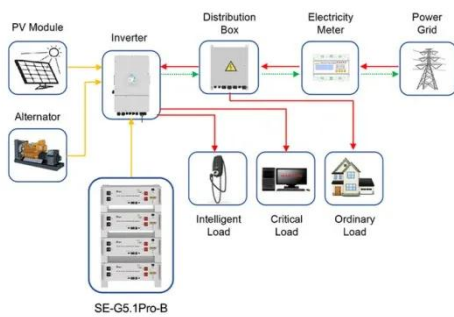
[Get Price](#)

Optimizing Solar Panel Spacing for

Maximum Efficiency

Proper solar panel spacing is key to improving performance and efficiency. Learn how to calculate and optimize spacing for maximum solar power production.

[Get Price](#)



Application scenarios of energy storage battery products

Maximize Solar Efficiency: Best Panel Spacing Strategies for 2025

Discover how to boost solar panel performance with optimal spacing in 2025. Avoid shading, improve airflow, and increase energy output using proven techniques and smart formulas.

[Get Price](#)

What is the minimum distance between rows of solar panels

Minimum row spacing for solar panels, critical to prevent shading, is typically 2-3 meters in mid-latitudes (e.g., 40°N), calculated using winter solstice sun angle to maintain 90%+ energy output, with fixed ...

[Get Price](#)



How to Calculate the Minimum Distance Between PV Panels?

Understand the importance of minimum installation distance for solar panels, calculation methods, and relevant



regulations to ensure efficient operation and compliance of solar energy systems.

[Get Price](#)

Optimal Solar Panel Row Spacing Calculator , SolarMathLab

Free solar panel spacing calculator to determine optimal row distance based on latitude, tilt, panel height, and season. Reduce shading losses and maximize rooftop or ground-mounted solar efficiency.

[Get Price](#)



How to Calculate Solar Panel Row Spacing for Maximum Efficiency

Calculate accurate solar panel row spacing with our easy-to-use tool. Avoid shading and optimize performance. Input tilt, azimuth, and panel dimensions. Try now!

[Get Price](#)



Photovoltaic Array Row Spacing Calculator

The row spacing of a photovoltaic array is the distance between the front and rear rows of solar panels. This spacing is

calculated to ensure that the rear panels are not shaded by the front panels, maximizing the ...

[Get Price](#)



Contact Us

For catalog requests, pricing, or partnerships, please visit:
<https://www.k3gizycko.pl>

