

# Photovoltaic bracket hot



## Photovoltaic bracket hot



### Hot DIP Galvanized PV Support Bracket PV Mounting Kits

A steel support bracket coated with a layer of zinc through a hot dipping process, creating a dense, corrosion-resistant layer. It's widely used for solar panel installations due to its strength and durability.

[Get Price](#)

### Hot-Dip Galvanized Photovoltaic Bracket

Hot-dip galvanized photovoltaic brackets are hot-dip galvanized on the surface to improve corrosion resistance. The bracket is typically made from steel or aluminum, it can be customized designed for ...

[Get Price](#)



### Photovoltaic Brackets , Future Energy Steel

Energy Steel's high-quality photovoltaic brackets are crafted to meet the demanding standards of the solar industry, offering both strength and versatility for diverse installation needs.

[Get Price](#)



## Solar Photovoltaic Panel Mounting

## Bracket Hot Dip Galvanized Direct

Compatible with various panel sizes and configurations, this bracket is versatile for rooftop, ground-mount, and carport applications. Manufactured in our Hebei facility with stringent quality control, it ...

[Get Price](#)



## Magnetic Photovoltaic Bracket Hot Dip Galvanizing: The Backbone of

Hot dip galvanizing isn't just a fancy spa treatment for metal. It's a meticulous process where steel brackets take a molten zinc bath at 450°C - hotter than your morning coffee and twice as energizing.

[Get Price](#)

## How PV Bracket Heat Affects Electrical Wires and Their ...

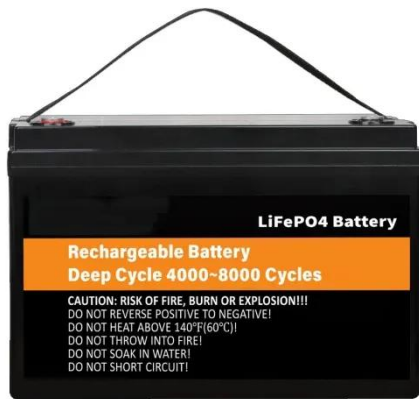
Learn how PV bracket heat affects solar wires, causing efficiency loss and cable aging, plus 3 strategies to improve durability and safety long term.

[Get Price](#)



## Solar U-shaped Steel Bracket for Solar PV Mounting System Hot-dip

Solar U-shaped Steel Bracket for Solar PV Mounting System Hot-dip Galvanized Steel for Flat Ground, Mountain & Roof



Pv System No reviews yet RoHS compliant Tianjin Youcheng Technology Co., Ltd. ...

[Get Price](#)

## Hot-dip galvanized photovoltaic bracket - Yuantaiderun Steel

Hot-dip galvanized photovoltaic (PV) mounting is a metal structural system designed to provide support for solar PV modules, with the steel surface treated against corrosion through the hot-dip galvanizing ...



[Get Price](#)

## Hot-Dip Galvanized Solar Photovoltaic Panel Bracket C-Shaped Steel

Ideal for large-scale solar projects, this system is built to withstand harsh weather conditions while providing long-lasting performance. Its economical pricing combined with high reliability makes it an ...

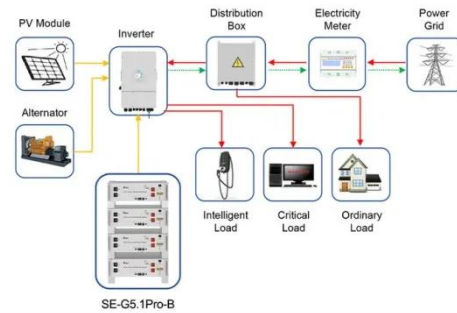
[Get Price](#)

## Solar Mounting Structure Bracket Hot-DIP Galvanized Photovoltaic

A:A hot-dip galvanized solar panel

bracket is a support structure that uses steel as the base material and forms a zinc layer on its surface through the hot-dip galvanizing process to enhance corrosion ...

[Get Price](#)



Application scenarios of energy storage battery products

## Contact Us

For catalog requests, pricing, or partnerships, please visit:  
<https://www.k3gizycko.pl>

