

Paramaribo industrial and commercial energy storage cabinet brand



Paramaribo industrial and commercial energy storage cabinet brand



PARAMARIBO ENERGY STORAGE EQUIPMENT BRAND , ICEENG ...

Battery swapping station external energy storage cabinet grid-connected type Battery Swapping Station (BSS) proposes an alternative way of refueling Electric Vehicles (EVs) that can lead towards a ...

[Get Price](#)

Cabinet Energy Storage System , VREMT

Discover our high-efficiency, modular battery systems with zero capacity loss and rapid multi-cabinet response. Ideal for industrial, commercial, and emergency applications, our solutions offer remote ...



[Get Price](#)



Paramaribo energy storage combiner cabinet

LiHub All-in-One Industrial and Commercial Energy Storage System is a beautifully designed, turn-key solution energy storage system. Within the IP54 protected cabinet consists of built-in energy storage ...

[Get Price](#)

PARAMARIBO ENERGY STORAGE INTEGRATED SYSTEM

We have extensive manufacturing experience covering services such as battery enclosures, grid energy storage systems, server cabinets and other sheet metal enclosure OEM services..

[Get Price](#)



2MW / 5MWh
Customizable

Paramaribo Cabinet Energy Storage System Cost: A 2024 Market ...

As Suriname accelerates its renewable energy transition, understanding the cost dynamics of cabinet-style energy storage systems becomes crucial for businesses and municipalities. This guide breaks ...

[Get Price](#)

Energy Storage Equipment, Energy storage solutions, Lithium battery

Huijue Group offers industrial and commercial energy storage, PV-BESS -EV Charging, Off-grid / On-grid Microgrid, telecom site solutions, and home solar energy storage, ensuring ...

[Get Price](#)



Paramaribo liquid cooling energy storage cabinet

The components of industrial and commercial energy storage system usually include the following aspects:



energy storage equipment, energy management systems and monitoring systems.

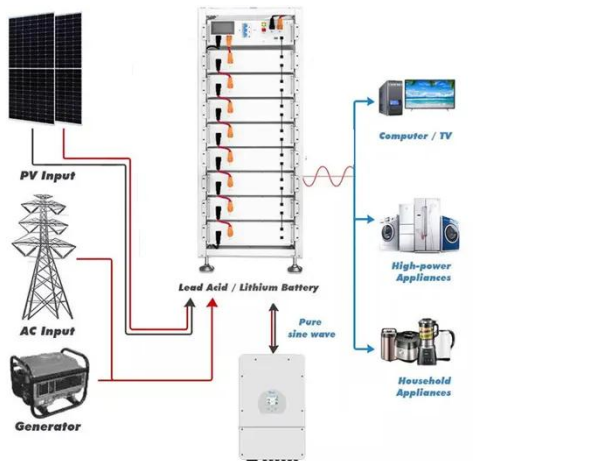
[Get Price](#)

Paramaribo Energy Storage Appliance: Powering Suriname's Future ...

As Suriname's capital marches toward its 2025 renewable energy targets, Paramaribo energy storage appliances stand ready to bridge the gap between tropical abundance and modern reliability.



[Get Price](#)



PARAMARIBO ENERGY STORAGE CABINET MANUFACTURER

Containerized energy storage solutions now account for approximately 45% of all new commercial and industrial storage deployments worldwide. North America leads with 42% market share, driven by ...

[Get Price](#)

Commercial energy storage paramaribo

LiHub All-in-One Industrial and

Commercial Energy Storage System is a beautifully designed, turn-key solution energy storage system. Within the IP54 protected cabinet consists of built-in

[Get Price](#)



Contact Us

For catalog requests, pricing, or partnerships, please visit:
<https://www.k3gizycko.pl>

