

Palau factory solar panel BESS price

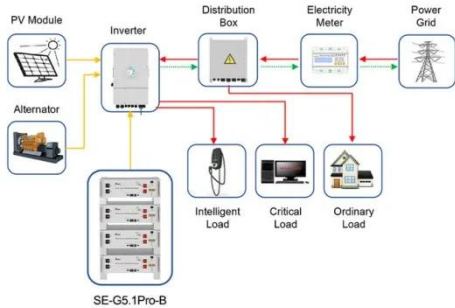


Overview

As of recent data, the average cost of a BESS is approximately \$400-\$600 per kWh. Here's a simple breakdown: This estimation shows that while the battery itself is a significant cost, the other components collectively add up, making the total price tag substantial. 2MWac) solar PV facility with a 10. It is located in Ngatpang state, on Babeldoab, the. Our picks for best solar panel brands are Maxeon. Discover the latest solar panel pricing trends in Palau and learn how to optimize renewable energy investments. This guide explores key factors affecting photovoltaic system costs, regional market insights, and actionable tips for residential/commercial buyers. Discover the latest solar panel. Philippine renewable energy firm Alternenergy and its subsidiary Solar Pacific Energy Corporation (SPEC) have recently launched the Republic of Palau's first solar and battery energy storage system (BESS) project in Ngatpang state on Babeldoab island. 9 MWh. nstruction," he said. Can I import solar panel power?

Yes (10) No (10) Analyze 10,876 Solar Panel Power.

Palau factory solar panel BESS price



Application scenarios of energy storage battery products

PALAU SOLAR ENERGY STORAGE CELL PRICE LIST

The average 2024 price of a BESS 20-foot DC container in the US is expected to come down to US\$148/kWh, down from US\$180/kWh last year, a similar fall to that seen in 2023, as reported by ...

[Get Price](#)

DETAILS AND PACKAGING



1 USER MANUAL PDF 2 RJ45 Cable For RS485/CAN 3 Battery in Parallel Cables
4 RJ45 TO USB Monitor Cable 5 M8 Terminal*4

Palau Solar Energy Storage Battery

How much does Palau solar project cost? In a press release from the company, it said the Palau solar project boasts a capacity of 15.3 MWp solar PV and 12.9 MWh BESS, making it one of the most ...

[Get Price](#)



Palau how much does solar cost

The Palau Solar PV + BESS project, with a capacity of 15.3 MWp solar PV and 12.9 MWh BESS, is one of the biggest foreign direct investments in the country with a total project cost of USD29 million.

[Get Price](#)

POWER STORAGE

The output of the solar power station is expected to exceed 45% of Palau's total demand. The island country committed under the Paris Agreement to a 45% renewable energy target by 2025 and a 22% ...

[Get Price](#)



Pv solar prices Palau

Alternergy Holdings Corp. and its subsidiary Solar Pacific Energy Corporation have inaugurated Palau's first solar PV + battery energy storage system (BESS) project, marking a significant milestone in the ...

[Get Price](#)



HOW MUCH DOES PALAU SOLAR PROJECT COST

As of recent data, the average cost of a BESS is approximately \$400-\$600 per kWh. Here's a simple breakdown: This estimation shows that while the battery itself is a significant cost, the other ...

[Get Price](#)



SOLAR PANELS AND PRICES IN PALAU , ICEENG CABINET

The solar farm is under development by a consortium comprising of Egypt, Asunim Solar from the United Arab Emirates (UAE) and I-kWh Company, an

energy consultancy firm also based in the UAE.

[Get Price](#)



Palau best solar panels in and their prices

The price of solar panels has declined substantially over the last decade as the industry has matured and reached production at the largest global scale. Since 2010, residential solar panel prices have ...



[Get Price](#)



Palau Photovoltaic Solar Panel Unit Price: 2024 Trends & Cost Analysis

Discover the latest solar panel pricing trends in Palau and learn how to optimize renewable energy investments. This guide explores key factors affecting photovoltaic system costs, regional market ...

[Get Price](#)

Alternergy installs Palau's largest solar and battery energy storage ...

With a capacity of 15.3 MWp solar PV and 12.9 MWh BESS, the project is

claimed as the largest of its kind in the Western Pacific region, also making it one of the most significant foreign ...

[Get Price](#)



Contact Us

For catalog requests, pricing, or partnerships, please visit:
<https://www.k3gizycko.pl>

