

New Energy Storage Safety Battery



New Energy Storage Safety Battery



NREL researchers address safety implications of next-generation battery

NREL researchers have authored a peer-reviewed article in the journal Nature that examines issues raised by next-generation batteries and what new testing tools and procedures are ...

[Get Price](#)

BESS and Lithium Battery Safety: 5 Myths & Misconceptions

Though relatively new, battery energy storage systems are becoming increasingly essential within the commercial power landscape. Of course, they aren't without their risks, and the safety standards are ...

[Get Price](#)

Sample Order
UL/KC/CB/UN38.3/UL



Battery Energy Storage Systems: Main Considerations for Safe

This webpage includes information from first responder and industry guidance as well as background information on battery energy storage systems (challenges & fires), BESS installation ...

[Get Price](#)



2MW / 5MWh
Customizable

Grid Modernization News

These techniques uncover new insights into the safety of emerging battery designs, predicting how they will behave in different applications, such as grid-scale storage.

[Get Price](#)



Navigating safety and sustainability in an evolving

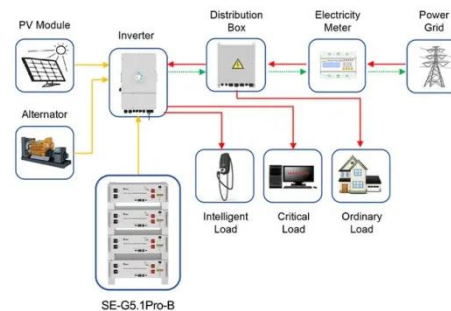
As adoption accelerates, stakeholders across the battery value chain -- including manufacturers and OEMs, project developers, regulators and more -- cannot sacrifice safety and performance for speed ...

[Get Price](#)

Battery Storage Industry Unveils National Blueprint for Safety

ACP's Battery Storage Blueprint for Safety outlines key actions and policy recommendations for state and local jurisdictions to regulate battery storage, enforce the country's ...

[Get Price](#)



Application scenarios of energy storage battery products

Battery Energy Storage: Blueprint for Safety

This Blueprint for Safety fact sheet provides a comprehensive framework that presents actionable and proven

solutions for advancing safety at the national, state, and local level.

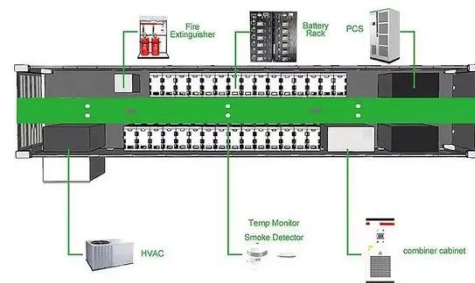
[Get Price](#)



Energy Storage Safety Strategic Plan

The Department of Energy Office of Electricity Delivery and Energy Reliability Energy Storage Program would like to acknowledge the external advisory board that contributed to the topic identification, ...

[Get Price](#)



EPA issues battery storage safety guidelines

EPA has issued what it called the first comprehensive federal safety guidance for battery energy storage systems (BESS), outlining best practices for siting, installation, operation and

[Get Price](#)

Safety Risks and Risk Mitigation

Long-duration storage: Iron-air batteries can store energy for days (up to 100 hours), which is ideal for balancing renewable energy sources like wind and

solar. Safe: Iron-air batteries are safer than ...

[Get Price](#)



Contact Us

For catalog requests, pricing, or partnerships, please visit:
<https://www.k3gizycko.pl>

