

Mogadishu solar container lithium battery bms manufacturer

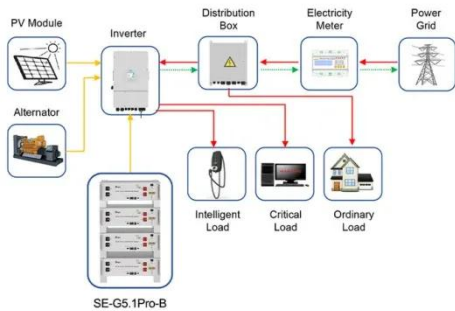


Overview

Who makes lithium ion batteries?

As China manufacturer of Lithium ion Battery, Large Power provides high-quality rechargeable lithium battery pack (Li-ion batteries) for the robotics, medical and instrument. [pdf] [FAQS about Large capacity 6v solar container lithium battery pack]. A bms battery management system is an electronic control unit designed to monitor, manage, and protect rechargeable batteries serves as the battery pack"s "brain,". A review of battery energy storage systems and advanced battery. Ideal for remote areas, emergency rescue and commercial applications. Fast deployment in all climates. It is the brain behind the battery and plays a critical role in its levels of safety, performance, charge rates, and longevity. With daily power outages lasting up to 8 hours in some districts, the city requires resilient energy storage solutions that can withstand extreme. Pre-fabricated containerized solutions now account for approximately 35% of all new utility-scale storage deployments worldwide. North America leads with 40% market share, driven by streamlined permitting processes and tax incentives that reduce total project costs by 15-25%.

Mogadishu solar container lithium battery bms manufacturer



Application scenarios of energy storage battery products

Mogadishu BMS battery management system

Comprehensive guide to Battery Management Systems (BMS), covering functions, circuits, components, and selection tips for safer, more reliable lithium-ion battery packs.

[Get Price](#)

MOGADISHU LITHIUM ION BATTERY ENERGY STORAGE ...

Technological advancements are dramatically improving solar storage container performance while reducing costs. Next-generation thermal management systems maintain optimal operating ...



[Get Price](#)



Mogadishu Solid-State Battery Energy Storage Powering Somalia s

Mogadishu solid-state battery energy storage solutions address the city's unique power challenges through enhanced safety, longevity, and thermal performance. As renewable adoption accelerates, ...

[Get Price](#)

Lithium Battery Management Systems (BMS) , LITHIUM BALANCE

Advanced monitoring of battery packs: Maximise safety, performance, and longevity for your lithium battery with our LiBAL Battery Management Systems (BMS).

[Get Price](#)



MOGADISHU ELECTRIC LITHIUM BATTERY DIRECT SALES ...

The global solar storage container market is experiencing explosive growth, with demand increasing by over 200% in the past two years. Pre-fabricated containerized solutions now account for ...

[Get Price](#)

Smart Energy Management

What is a mobile solar PV container? High-efficiency Mobile Solar PV Container with foldable solar panels, advanced lithium battery storage (100-500kWh) and smart energy management.

[Get Price](#)



MOGADISHU CUSTOMIZED LITHIUM BATTERY , EQACC SOLAR

Cylindrical solar container lithium battery 7 cm What is a lithium battery energy storage system? Energy Storage

System A sophisticated lithium battery energy storage system with an expandable range of ...

[Get Price](#)



MOGADISHU PHOTOVOLTAIC ENERGY STORAGE LITHIUM ...

Technological advancements are dramatically improving solar storage container performance while reducing costs. Next-generation thermal management systems maintain optimal operating ...

[Get Price](#)



MOGADISHU ENERGY STORAGE LITHIUM BATTERY

Liquid-cooled energy storage lithium iron phosphate battery station cabinet Ranging from 208kWh to 418kWh, each BESS cabinet features liquid cooling for precise temperature control, integrated fire ...

[Get Price](#)

MOGADISHU LITHIUM ION BATTERY ENERGY STORAGE ...

Ranging from 208kWh to 418kWh, each BESS cabinet features liquid cooling for

precise temperature control, integrated fire protection, modular BMS architecture, and long-lifespan lithium iron phosphate ...

[Get Price](#)



Contact Us

For catalog requests, pricing, or partnerships, please visit:
<https://www.k3gizycko.pl>

