

# Maldives Power s energy storage projects in operation



## Overview

---

The Maldivian government has signed a landmark agreement to deploy 38 megawatt-hours (MWh) of battery energy storage systems (BESS) alongside energy management systems (EMS) across 18 residential islands, as part of its transition to renewable energy. May, 2024 AIIB PT is considering to prepare an appraisal mission in May 2024 for the proposed additional financing. Solar panels on the island of Velidhoo. The initiative, backed by the Asian Development. The Ministry of Tourism and Environment invites strategic investors to spearhead the largest renewable energy transformation in the Maldives' history. Maldives : Maldives Solar Power Development and Jun 12, &ensp;&#;&ensp;2. The project includes design, supply, installation and commissioning of a total 40MWh. Soneva Fushi has installed a 70kW solar photovoltaic (PV) power plant system that has achieved eight months of.

## Maldives Power s energy storage projects in operation

---



### Maldives opens call for up to 150-MW solar project with storage

The Maldives government has launched a call for the construction of an up-to-150-MW solar photovoltaic (PV) park that will be coupled with battery storage and will help the island country enhance its ...

[Get Price](#)

---

### Battery Energy Storage Systems to be built in 24 islands

The Ministry of Environment, Climate Change and Technology has signed a contract for the installation of 40 MWh capacity Battery Energy Storage Systems across 24 islands in the Maldives.



[Get Price](#)

---



### Maldives solar power plant battery

The 40MW pilot battery energy storage project in the Philippines has been switched on at the site of Alaminos Solar, a 120MW solar PV power plant in the municipality of Alaminos, Laguna, about 80km south of

[Get Price](#)

---

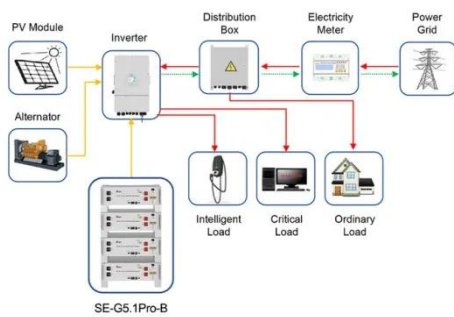
## Maldives New Energy and Energy

## Storage Project

The Maldivian government has signed a landmark agreement to deploy 38 megawatt-hours (MWh) of battery energy storage systems (BESS) alongside energy management systems (EMS) across 18 residential ...



[Get Price](#)



Application scenarios of energy storage battery products

## Maldives pingshi energy storage station

The Project involves the development of 36 MW solar power project and 50 MWh of battery energy storage solutions across various selected islands in the Maldives.

[Get Price](#)

## Maldives : Maldives Solar Power Development and Energy Storage ...

Project Summary: The project involves the development of a 36-megawatt (MW) solar power project and 40 megawatt hours (MWh) of battery energy storage solutions across various selected islands in the Maldives.

[Get Price](#)



## Advanced Battery Technology to Integrate Intermittent Renewables in ...

The project tapped the JFJCM to finance and pilot test an advanced battery



energy storage system, including an energy management system, that can help address the additional challenges of

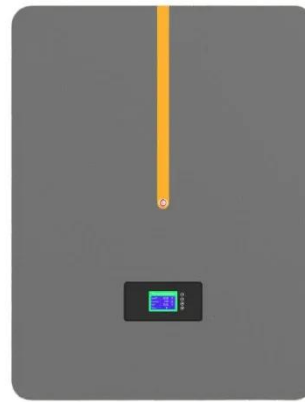
...

[Get Price](#)

---

## Maldives Signs Agreement to Install Battery Storage Systems on 18

The Maldivian government has signed a landmark agreement to deploy 38 megawatt-hours (MWh) of battery energy storage systems (BESS) alongside energy management systems (EMS) across 18 ...



[Get Price](#)

---

## The first batch of energy storage power stations in Maldives

The Government of Maldives has signed an agreement to install 38 megawatt-hours (MWh) of battery energy storage systems (BESS) across 18 residential islands, as part of its ongoing efforts to transition to ...



[Get Price](#)

---

## 20. 200 MW Island wide Renewable Energy Investment Opportunity

This landmark initiative will establish solar PV and energy storage

infrastructure across 187 inhabited islands, positioning investors at the forefront of the region's sustainable energy revolution while delivering substantial ...

[Get Price](#)



---

## Contact Us

For catalog requests, pricing, or partnerships, please visit:  
<https://www.k3gizycko.pl>

