

Make a square wave inverter DC voltage



Overview

Build a 12V to 220V square wave inverter using CD4047 IC with adjustable 50–60Hz frequency. Complete DIY guide with circuit diagram, components, working princip. Inverters are essential devices that convert DC (Direct Current) power into AC (Alternating Current). The simplest and most effective method of converting low-voltage DC provided by a battery to high-voltage AC is the use of a. The simple two-cycle scheme shown in Figure 11. This is the simplest case, and if the inverter performs only this step, it is a square-wave inverter. This type of output is not very efficient and can be even detrimental to some loads.

Make a square wave inverter DC voltage



Square Wave Inverter DIY: : 3 Steps (with Pictures)

In this instructable you are going to learn how to make an inverter with just two power transistors and two resistors. The Transformer and the battery used in this project are from an old UPS ...

[Get Price](#)

Arduino-Based Square Wave Inverter , DC to AC Conversion Project

Using the given Arduino program, the circuit alternately switches the output between two channels, producing a square wave voltage that can power low-power AC devices.



[Get Price](#)

Square Wave Inverter - Definition, Circuit Diagram & Waveform

In this topic, you study Square Wave Inverter - Definition, Circuit Diagram & Waveform. Square Wave Inverter is an electrical circuit, converts a fixed voltage DC to a fixed (or variable) ...

[Get Price](#)



Designing Switching Mechanism

with Step Up Transformer for Square Wave

The square wave generator designed using 555 timer IC was meant to provide input square wave in the inverter circuit. Now, it is time to complete the square wave inverter circuit by ...

[Get Price](#)



Square Wave Inverter , How it works, Application & Advantages

In conclusion, square wave inverters are a simple, cost-effective solution for powering basic electrical devices. They work by flipping a DC signal back and forth to create a square wave ...

[Get Price](#)

DIY Square Wave Inverter PCB

Engineer Ali has designed a DIY square wave inverter circuit board that can convert battery DC voltage to AC 220 volts. The circuit board is a unique and innovative solution for converting low DC voltage ...

[Get Price](#)



How to Build a Simple Inverter Circuit Using MOSFETs: A Step-by ...

MOSFET-based inverter is a great place to start for hobbyists, students, and engineers alike. In this article, I'll guide you step by step on how to build a



simple square wave inverter using ...

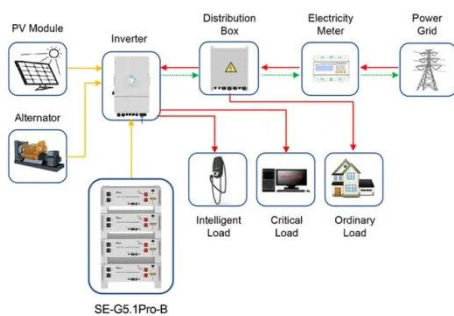
[Get Price](#)

An overall introduction of inverter waveform and the comparisons

This article will give you a detailed introduction and comparison of inverter waveform, including the principles of generating different waveforms, and comparison between square wave, ...



[Get Price](#)



Application scenarios of energy storage battery products

12V to 220V Square Wave Inverter Using CD4047 , 50-60Hz ...

Build a 12V to 220V square wave inverter using CD4047 IC with adjustable 50-60Hz frequency. Complete DIY guide with circuit diagram, components, working princip

[Get Price](#)

6.4. Inverters: principle of operation and parameters

During the 2nd half cycle (bottom), the DC current is switched on through the bottom part of the coil. The simple two-cycle scheme shown in Figure 11.4

produces a square wave AC signal. This is the ...

[Get Price](#)



Contact Us

For catalog requests, pricing, or partnerships, please visit:
<https://www.k3gizycko.pl>

