

# Land for energy storage projects in Belgium



## Overview

---

With over 2 GW of projects in development and a CAGR nearing 30% through 2030, Belgium is outpacing many European peers in energy storage growth. Tractebel is Owner's Engineer on this landmark project. Green Turtle, situated on the Rotem industrial site in Belgium's northwestern Limburg province, was originally planned. The GIGA Green Turtle battery park is a major battery energy storage system (BESS) being developed by GIGA Storage Belgium at the Rotem/Dilsen-Stokkem industrial area in Limburg province, north-western Belgium. The project is designed to provide up to 700 MW of power output and 2,800 MWh of storage. Swedish engineering firm Sweco has won the contract to design one of Europe's largest battery parks which will be built in Belgium, the company confirmed on Monday. The battery park will be located in Dilsen-Stokkem, Belgium.

## Land for energy storage projects in Belgium

---



### One of Europe's largest battery parks to be built in Belgium

GIGA Storage Belgium develops and deploys large-scale energy storage projects within the Belgian energy network. The facility will provide stored renewable energy during periods of low ...

[Get Price](#)

---

### Giga Green Turtle Battery Storage Project in Belgium: One of ...

The GIGA Green Turtle battery park is a major battery energy storage system (BESS) being developed by GIGA Storage Belgium at the Rotem/Dilsen-Stokkem industrial area in Limburg ...



[Get Price](#)

---



### Sweco to design one of Europe's largest battery energy storage ...

GIGA Storage Belgium is an energy company that develops and deploys large-scale energy storage projects within the Belgian energy network. The aim is to play a key role in securing ...

[Get Price](#)

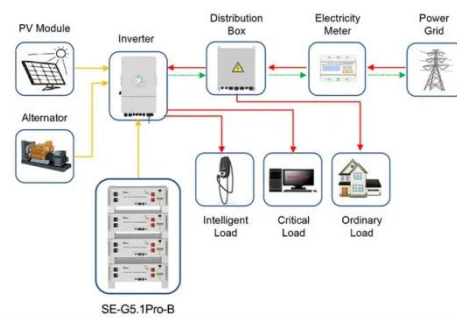
---

## Belgium commissions the largest

## battery energy storage system in

An example of such an investment is the newly commissioned Vilvoorde Battery Energy Storage System in Belgium, currently the largest of its kind in continental Europe. The history of the ...

[Get Price](#)



Application scenarios of energy storage battery products



## Colossal battery park in Belgium to store energy to power 385,000

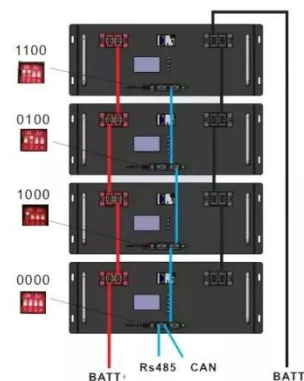
When the supply of renewable energy exceeds the demand for power, battery systems like Green Turtle allow excess energy to be stored, then fed back into the grid when the demand for ...

[Get Price](#)

## Energy Storage in Belgium and Europe

Read the full analysis and gain a future-ready perspective on Belgium & Europe's energy storage frontier.

[Get Price](#)



## Sungrow and ENGIE complete first 400 MWh of Europe's largest ...

The second and final phase of this 200MW/800MWh battery energy storage project is set to connect to the grid by the end of 2025. The two-phase



development is set to enhance grid stability ...

[Get Price](#)



---

## Green Turtle Battery Park, Belgium

Green Turtle Battery Park will store surplus renewable energy and provide the stored energy during periods of low solar and wind energy production. The supply, during peak hours or ...

[Get Price](#)



---

## Engie Completes One of Europe's Largest Battery Storage Projects

Brussels, November 2024 -- French energy giant Engie has announced that its 200 MW/800 MWh battery energy storage system in Vilvoorde, Belgium, is now fully operational, marking ...

[Get Price](#)

---

## Construction starts on 440MWh of Tesla battery storage in Belgium

Belgium is one of the most active and mature grid-scale energy storage markets in Europe, with diversified opportunities for monetising battery

storage via flexibility markets and a ...

[Get Price](#)



---

## Contact Us

For catalog requests, pricing, or partnerships, please visit:  
<https://www.k3gizycko.pl>

