

Kingston Industrial and Commercial Energy Storage Solutions



All in one
50-500 Kwh
Hybird
System



Kingston Industrial and Commercial Energy Storage Solutions



Exploring Industrial and Commercial Energy Storage Application

Discover key Industrial and Commercial Energy Storage Application Scenarios, including peak shaving, renewable integration, microgrids, EV charging, and backup power. Learn how C& I ...

[Get Price](#)

Commercial & Industrial Energy Storage Solutions , C& I BESS

Bluesun Solar offers commercial and industrial energy storage solutions designed to reduce energy costs, enhance energy management and support peak shaving.



[Get Price](#)



Reliable Energy Storage Solutions for Industrial & Commercial Use

Explore advanced energy storage solutions, including commercial energy storage systems and industrial battery storage, for efficient and sustainable power management.

[Get Price](#)

What is Commercial and Industrial

Energy Storage?

Commercial and industrial energy storage systems (C& I ESS) refer to large-scale battery solutions designed to store electricity for businesses, manufacturing plants, and commercial buildings.

[Get Price](#)



Industrial & Commercial Energy Storage Solutions , Wenergy

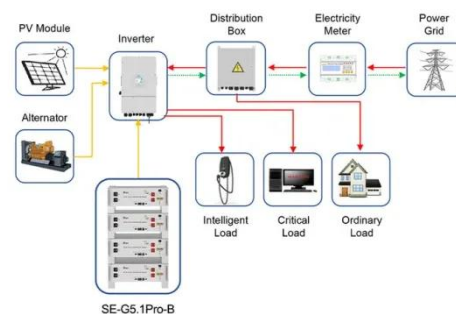
Globally certified and built for safety, our solutions deliver reliability across manufacturing, commercial buildings, data centers, and microgrids. Cost Savings - Lower electricity bills by storing energy ...

[Get Price](#)

Commercial Energy Storage Systems: Types, Costs

Learn how commercial energy storage systems work, from battery storage to thermal solutions. Explore benefits, costs, and strategies for C& I facilities.

[Get Price](#)



Application scenarios of energy storage battery products

Industrial and Commercial Energy Storage Cooperation

Our energy storage cabinet systems provide efficient solutions for



commercial and industrial (C& I) applications, including battery storage, outdoor cabinets and solar systems, ensuring reliable ...

[Get Price](#)

C& I Energy Storage System for Peak Shaving-HyperStrong

Our C& I energy storage solutions implement peak-valley time shifting and utilize power during off-peak times to reduce electricity costs and balance peak load. Discover how our commercial energy ...



[Get Price](#)



Industrial & Commercial Energy Storage System

It ensures long life and safety through A+ grade lithium iron phosphate batteries and multi-level BMS protection. The system supports various power inputs (PV, diesel, wind) and requires no complex ...

[Get Price](#)

Commercial & Industrial Energy Storage Systems , ROYPOW

A Commercial & Industrial energy

storage system is a solution that helps businesses manage energy costs, improve reliability, and integrate renewable energy sources. These systems ...

[Get Price](#)



Contact Us

For catalog requests, pricing, or partnerships, please visit:
<https://www.k3gizycko.pl>

