

Jointly build 5g base stations with China Telecom



Jointly build 5g base stations with China Telecom



Shared Network Smart Co-Governance White Paper

5G have posed tremendous pressure on operators. In order to accelerate the large-scale deployment of 5G networks, China Telecom and China Unicom, in 2019, embarked on an innovative partner.

[Get Price](#)

Ambitious 5G base station plan for 2025

China aims to build over 4.5 million 5G base stations next year and give more policy as well as financial support to foster industries that can define the next decade, the country's top industry ...

[Get Price](#)



Across China: What 5G telecom towers can offer in China's

With over 3.8 million 5G base stations now operational across China, the widespread adoption of 5G is delivering substantial benefits to both individuals and businesses, offering unprecedented ...

[Get Price](#)

China to construct over 4.5 million



5G base stations in 2025

China plans to construct over 4.5 million 5G base stations in 2025 while introducing additional policy and financial incentives to support industries expected to shape the next decade, ...

[Get Price](#)



China Telecom, China Unicom successfully roll out world's largest 5G

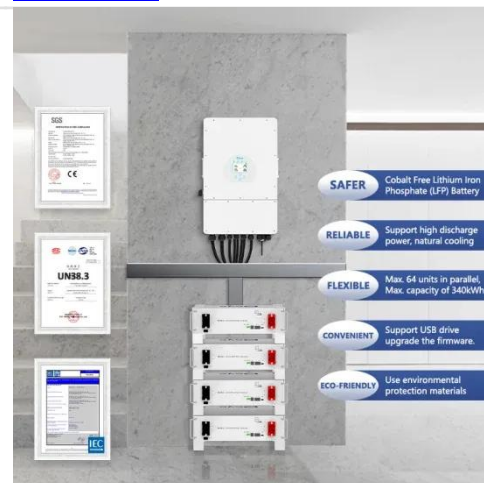
According to the " Framework Agreement on Co-building and Co-sharing 5G Networks " reached by China Telecom and China Unicom, the two parties will jointly construct and share the ...

[Get Price](#)

China Telecom and China Unicom Jointly Rolles Out 990,000 Shared ...

According to official resources at China Telecom, China Telecom and China Unicom have jointly rolled out about 990,000 shared 5G base stations, realizing continuous coverage in key ...

[Get Price](#)



China's 5G base stations top 4.83 million by end of 2025

BEIJING, Jan. 28 -- China's telecommunications sector maintained



steady growth in 2025, with the country surpassing its development goals for 5G and gigabit optical network infrastructure set out in ...

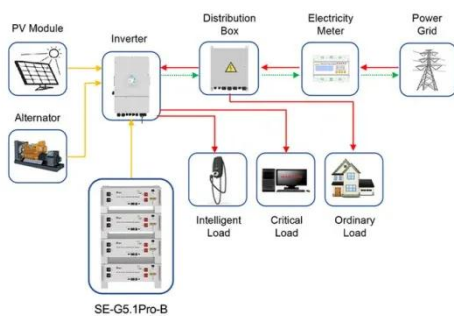
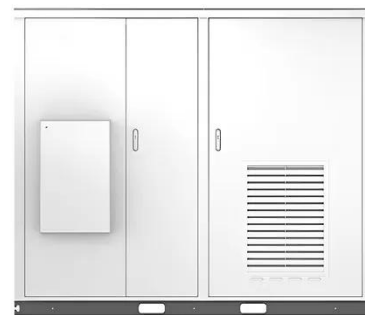
[Get Price](#)

China's carriers to build a shared 5G network

China Telecom and China Unicom have reached a tentative agreement to jointly build a 5G network and share network infrastructure. And it's possible that China Mobile may join them.

[Get Price](#)

Solar



Application scenarios of energy storage battery products

The joint construction and sharing of 5G base stations exceeded ...

On Septem, China Telecom and China Unicom signed the "Framework Cooperation Agreement on 5G Network Co-construction and Sharing", agreeing to jointly build and ...

[Get Price](#)

China Telecom and China Unicom jointly build and share 5G RAN

China Telecom and China Unicom, two of China's three leading telecom operators, and two of its four 5G licensees, will jointly cover parts of the country with

one shared 5G radio access ...

[Get Price](#)



Contact Us

For catalog requests, pricing, or partnerships, please visit:
<https://www.k3gizycko.pl>

