

Is Huawei s photovoltaic energy storage system expensive



Overview

As of 2024, the Huawei Luna2000-10-50 retails between \$7,000 and \$9,000 USD installed, depending on region and labor rates 9. This positions it in the premium tier, comparable to Tesla Powerwall or LG RESU Prime. The following table displays the average cost of energy storage systems in Africa: Moreover, when comparing 4 kWh lead-acid batteries with lithium-ion batteries, we have: Note: $\text{Cost/kWh/cycle} = \text{Solar Battery Cost} / (\text{storage capacity} \times \text{DoD} \times \text{life cycle})$ LCOS is the cost per kWh for a storage system to. With global renewable energy capacity expected to grow by 60% by 2030 (IEA 2023 Report), energy storage has become the linchpin for sustainable power systems. battery capacity, which directly influences installation complexity and energy management, 2. specific market conditions, fluctuating based on region, demand, and available subsidies, and 3. installation costs. Summary: Explore the pricing factors, market trends, and value propositions of Huawei's photovoltaic energy storage systems. Learn how this technology integrates with renewable energy solutions while balancing cost and efficiency for residential, commercial, and industrial applic Summary: Explore. These batteries are designed to store excess electricity generated by photovoltaic (PV) solar panels for use during grid outages, nighttime, or periods of high electricity pricing 2. For instance, Europe's FIT.

Is Huawei's photovoltaic energy storage system expensive



Solar Installed System Cost Analysis

NLR analyzes the total costs associated with installing photovoltaic (PV) systems for residential rooftop, commercial rooftop, and utility-scale ground-mount systems. This work has grown ...

[Get Price](#)

Solar Energy Storage Cost: Guide for Homeowners

Learn about solar energy storage costs, what influences prices, and ways to cut costs while maximizing savings with your solar system. Read on for more!

[Get Price](#)



Energy Storage System Products List , HUAWEI Smart PV Global

Energy Storage System Products List covers all Smart String ESS products, including LUNA2000, STS-6000K, JUPITER-9000K, Management System and other accessories product series.

[Get Price](#)

How much does Huawei's energy storage battery cost?

The pricing mechanism for Huawei's energy storage batteries typically hinges on multiple determinants, including battery capacity, regional market factors, and installation expenses.

[Get Price](#)



Huawei Photovoltaic Intelligent Energy Storage System Price: A ...

The Huawei Photovoltaic Intelligent Energy Storage System price reflects advanced technology that optimizes renewable energy utilization. With prices becoming more accessible (14% YoY decrease), ...

[Get Price](#)

IS HUAWEI S PHOTOVOLTAIC ENERGY STORAGE SYSTEM ...

Understand how energy storage systems work to efficiently capture and retain energy, optimizing home usage and offering significant benefits.,Huawei FusionSolar provides new generation string inverters ...

[Get Price](#)



Huawei Photovoltaic Energy Storage System: Powering the Future ...

Summary: Explore how Huawei's lithium battery-based photovoltaic energy

Energy storage(KWh)

102.4kWh

Nominal voltage(Vdc)

512V

Outdoor All-in-one ESS cabinet

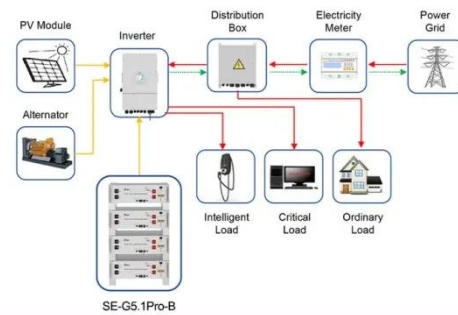


storage systems are reshaping renewable energy solutions across industries. This article dives into technical advantages, ...

[Get Price](#)

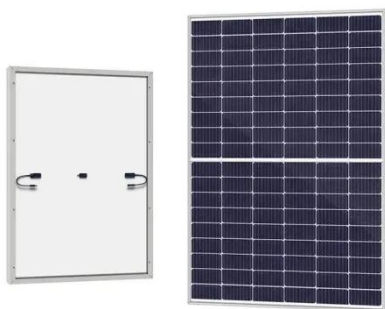
Household Huawei Photovoltaic Energy Storage: Price Analysis and ...

Analyzing Huawei photovoltaic energy storage prices reveals a competitive landscape where technology meets affordability. With modular scalability and smart features, these systems empower users to ...



Application scenarios of energy storage battery products

[Get Price](#)



How to Choose the Best Solar Battery Huawei for Your Home Energy ...

Learn what to look for in a solar battery Huawei, including key specs, top models, pricing, and buyer tips to make an informed decision.

[Get Price](#)

Is Huawei's Energy Storage Project Profitable? Insights & Market

Summary: Huawei's energy storage solutions are reshaping renewable

energy integration. This article explores their profitability drivers, market trends, and real-world applications in sectors like solar ...

[Get Price](#)



Contact Us

For catalog requests, pricing, or partnerships, please visit:
<https://www.k3gizycko.pl>

