

Indonesia accelerates the construction of new energy storage



Indonesia accelerates the construction of new energy storage



Indonesia announces bold 320 GWh distributed battery storage plan

The new initiative features plans for 1 MW solar minigrids tied with 4 MWh of accompanying battery energy storage, to be deployed across 80,000 villages, alongside 20 GW of centralized solar power ...

[Get Price](#)

Indonesia Unveils 100 GW Solar Initiative With Massive 320GWh ...

Operated by the village cooperative Merah Putih, these solar-plus-storage mini grids aim to provide affordable, reliable power while reducing dependence on costly diesel generators. The ...



[Get Price](#)



Indonesia unveils plan for 100 GW of solar

The new initiative features plans for 80 GW of 1 MW solar minigrids with accompanying battery energy storage, to be deployed across 80,000 villages, alongside 20 GW of centralized solar ...

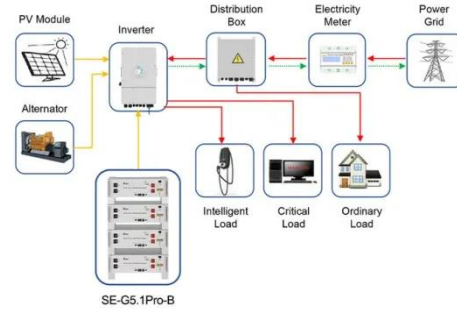
[Get Price](#)

Smart grid accelerates Indonesia's

energy transition

The plan outlines ambitious targets: adding 42.6 gigawatts (GW) of new renewable power capacity and 10.3 GW of storage solutions while capping new fossil fuel capacity at just 16.6 GW.

[Get Price](#)



Application scenarios of energy storage battery products



Battery Energy Storage Systems in Indonesia: Market Outlook, Growth

Performance in this period will determine Indonesia's position in regional energy storage market and create conditions for longer-term market growth beyond 2030.

[Get Price](#)

Indonesia Plans To Add 69.5 Gw Of New Green Energy By 2034

Indonesia's Ministry of Energy and Mineral Resources has launched its 2025-2034 Electricity Supply Business Plan, aiming to add 69.5 GW of new power generation capacity--76 per cent of which will come from ...

[Get Price](#)



Indonesia plans 69.5 GW of new power capacity by 2034

Indonesia plans 69.5 GW of new power capacity by 2034, requiring \$235bn in investment, under its new energy

development plan.

[Get Price](#)



Indonesia announces 100 GW solar, storage minigrid plan

These solar-plus-storage minigrids are set to be installed in 80,000 villages across Indonesia and will be managed and operated by village cooperative Merah Putih. The initiative also ...

[Get Price](#)



Indonesia Accelerates Adoption of Modern Energy Storage Systems

Jakarta, INTI -- Amid the ongoing challenges of unstable electricity supply caused by the fluctuating nature of renewable energy, Indonesia has begun accelerating the adoption of Energy Storage Systems (ESS) as a ...

[Get Price](#)

Mapping Growth Opportunities for Solar Energy and Energy Storage ...

IESR has issued a report for the first time assessing the development of energy storage in Indonesia in Powering the

Future: An Assessment of Energy Storage Solutions and The ...

[Get Price](#)



Contact Us

For catalog requests, pricing, or partnerships, please visit:
<https://www.k3gizycko.pl>

