

Huawei Energy Storage System Wiring Method



Overview

This document describes the networking architecture, communication logic, and operation and maintenance (O&M) methods of the commercial and industrial (C&I) on-grid energy storage solution, as well as the installation, cable connection, check and preparation before. This document describes the networking architecture, communication logic, and operation and maintenance (O&M) methods of the commercial and industrial (C&I) on-grid energy storage solution, as well as the installation, cable connection, check and preparation before. This document describes the product information, application scenarios, installation, commissioning, maintenance, and technical specifications of the energy storage system (ESS) that consists of the LUNA2000-10KW-C1 Energy Storage Control Unit and the LUNA2000-5-E1 and LUNA2000-7-E1 Energy Storage. Page 1 Commercial and Industrial On-Grid Energy Storage Solution Quick Guide (Based on 215KWH Series ESS) Issue Date 2024-08-12 HUAWEI DIGITAL POWER TECHNOLOGIES CO. com Issue 15 (2024-06-05) Copyright © Huawei Digital Power Technologies Co. i About This Document Purpose This document describes the installation. HUAWEI DIGITAL POWER TECHNOLOGIES CO. Page 2 If the paint is damaged due to collision during transportation or installation. SUN2000- (2KTL-6KTL) -L1 • A maximum of three inverters can be cascaded. SUN5000- (3K, 6K)-LB0 SUN5000 inverter. Otherwise, the inverter cannot be.

Huawei Energy Storage System Wiring Method



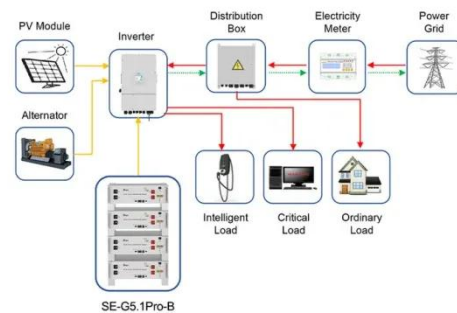
Quick Guide (Based on 215KWH Series ESS)

The C& I on-grid energy storage solution has two networking architectures: ESS-only and PV+ESS. The ESS-only system is mainly used for peak staggering and peak shaving at the grid connection point ...

[Get Price](#)

Solution Introduction

LUNA2000- (97KWH-200KWH) Series Commercial and Industrial On-Grid Energy Storage Solution User Manual
 About This Document
 Solution Introduction
 Networking Architecture
 Communication ...



Application scenarios of energy storage battery products

[Get Price](#)



LUNA2000-S1 User Manual

This document describes the product information, application scenarios, installation, commissioning, maintenance, and technical specifications of the energy storage system (ESS) that consists of the ...

[Get Price](#)

Reference Documents

LUNA2000- (97KWH-200KWH) Series Commercial and Industrial On-Grid Energy Storage Solution User Manual

[Get Price](#)



HUAWEI LUNA2000-200KWH-100KW-2H1 QUICK MANUAL Pdf ...

The key factors include the rated current, cable type, routing method, maximum expected line loss, rated temperature, ambient temperature, thermal resistance, acidity, sedimentation, and environmental ...

[Get Price](#)

Residential Smart PV Solution Quick Guide (Single-Phase PV+ESS ...

For details about the solution components, installation, and cable connections, see the corresponding user manuals and quick guides. 3. The cable colors involved in this document are for

...

[Get Price](#)



HUAWEI 215KWH SERIES QUICK MANUAL Pdf Download

View and Download Huawei 215KWH



Series quick manual online. Smart String Energy Storage System. 215KWH Series storage pdf manual download. Also for: Luna2000-215-2s10, Luna2000-215-2s12.

[Get Price](#)

Contact Us

For catalog requests, pricing, or partnerships, please visit:
<https://www.k3gizycko.pl>

