

Huawei Burundi New Energy Storage Policy



Overview

Key contributions include: (1) a novel integration of LCA with grid-specific optimization to balance sustainability and reliability; (2) development of the BMAI for cross-country energy storage market benchmarking; and (3) actionable policy pathways, such as hybrid PV-BESS. Key contributions include: (1) a novel integration of LCA with grid-specific optimization to balance sustainability and reliability; (2) development of the BMAI for cross-country energy storage market benchmarking; and (3) actionable policy pathways, such as hybrid PV-BESS. Summary: The Gitega Huawei energy storage project exemplifies Africa's push toward renewable energy modernization. This article explores its technical milestones, regional energy trends, and how solar-compatible storage solutions reshape industries like utilities and infrastructure. Breaking Down. HUAWEI BAGS CONTRACT FOR THE WORLD'S LARGEST ENERGY STORAGE PROJECT This project is part of the Red Sea Project, which aims to be the world's first fully clean energy- powered destination, showcasing Huawei's commitment to sustainable energy solutions². Top three players, including Chint Global Bluetti Power, and Jackery. Minister of Energy Sebastian Burduja signing 24 financing contracts for self-consumption solar and storage projects, worth nearly €14 million. Located in Burundi's political capital, the Gitega Huawei project aims to stabilize the national grid through a 25 MW/50 MWh. What is Huawei energy storage system?

Huawei Energy Storage Systems integrate power electronics, digital, thermal, electrochemical, and AI technologies to implement refined monitoring and management at the cell, battery pack, battery rack, ESS, and power grid levels. This ensures energy storage.

Huawei Burundi New Energy Storage Policy



Huawei Burundi Power Plant Energy Storage Policy

Huawei Energy Storage Systems integrate power electronics, digital, thermal, electrochemical, and AI technologies to implement refined monitoring and management at the cell, battery pack, battery rack, ...

[Get Price](#)

Huawei Burundi Energy Storage Industry Project

Summary: The Gitega Huawei energy storage project exemplifies Africa's push toward renewable energy modernization. This article explores its technical milestones, regional energy trends,



[Get Price](#)

Burundi's Energy Revolution: How Storage Power Stations Are ...

One thing's clear: Storage isn't just about keeping lights on anymore. It's becoming the backbone of Burundi's industrial strategy, with new textile factories and data centers demanding 99.9% uptime.

[Get Price](#)

HUAWEI BURUNDI POWER STATION

ENERGY STORAGE POLICY

We develop battery modules, racks and energy storage systems designed to power industrial applications across challenging sectors, including construction, maritime, defence, and grid systems.

[Get Price](#)



BURUNDI ENERGY STORAGE BATTERY PROJECT

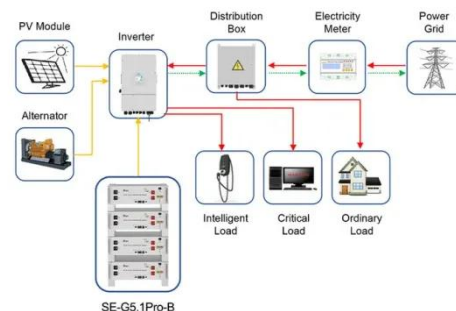
This pioneering project is set to transform industrial energy use by replacing polluting diesel generators with a large-scale battery storage system powered by solar energy.

[Get Price](#)

BURUNDI ENERGY STORAGE PROJECT SIGNED

The newly completed 12MWh energy storage project, which was developed in collaboration with SchneiTec, a renewable energy developer, features a 2MWh testbed designed to validate Huawei's ...

[Get Price](#)



Application scenarios of energy storage battery products

Huawei Burundi Power Station Energy Storage Policy

With the application of optimizers and the smart string energy storage system, the solution can improve energy yield by

30% and energy storage power by up to 15%.

[Get Price](#)



Gitega Huawei Energy Storage Project: Current Progress & Industry

Summary: The Gitega Huawei energy storage project exemplifies Africa's push toward renewable energy modernization. This article explores its technical milestones, regional energy trends, and how ...



[Get Price](#)



- IP65/IP55 OUTDOOR CABINET
- OUTDOOR CABINET WITH AIR CONDITIONER
- OUTDOOR ENERGY STORAGE CABINET
- 19 INCH

Huawei Burundi Energy Storage Battery Warehouse

This article explores the rising importance of local energy storage battery brands in Burundi, their applications, and how innovative technologies like those from EK SOLAR are shaping the market.

[Get Price](#)

Huawei Digital Power Deeply Rooted in Localized Services, Powering

Huawei Digital Power, leveraging tech

advantages and rich project experience, has enhanced customer-centric comprehensive services to ensure end-to-end long-term safety for ...

[Get Price](#)



Contact Us

For catalog requests, pricing, or partnerships, please visit:
<https://www.k3gizycko.pl>

