

# How much does a 100kW Russian solar container cost



## Overview

---

Recent pricing trends show standard 20ft containers (500kWh-1MWh) starting at \$180,000 and 40ft containers (1MWh-2.5MWh) from \$350,000, with flexible financing including lease-to-own and energy-as-a-service models available. How much does a solar energy storage system cost?

PVMars lists the costs of 1mwh-3mwh energy storage system (ESS) with solar here (lithium battery design). The price unit is each watt/hour, total price is calculated as:  $0.2 \text{ US\$} * 2000,000 \text{ Wh} = 400,000 \text{ US\$}$ . When solar modules are added, what are the. However, prices aren't always simple—they vary depending on size, materials, certifications, and location. Let's break down what really goes into the cost and whether it's worth your money. Published: Decem| Category: Cost And. Can load in 1x40HC container approx. If you are interested kindly contact us for more information (price, available quantity etc. Below are the product parameters and pictures of the 100kw solar. In general, a basic solar trailer (plug-and-play PV only) starts around €21,500 for a 12.6 kWp system with 41 kWh battery, while mid-range hybrid containers (80-200 kW PV with LiFePO<sub>4</sub> storage) often cost €30,900-€43,100; small off-grid units can be found for ~\$9,850-\$15,800, and turnkey BESS.

## How much does a 100kW Russian solar container cost

---



### How much does a 100kW photovoltaic container for Russian farms cost

Wondering how much a 5kW, 10kW, or 100kW solar plant costs in 2025? Get the latest solar plant cost breakdown by size, including installation, subsidies, and payback details ...

[Get Price](#)

---

## 100Kw Solar Container Russia Wholesale Suppliers, Manufacturers

Buy premium 100Kw Solar Container Russia in bulk from verified wholesale suppliers and manufacturers. Best prices, bulk discounts, trusted deals at go4WorldBusiness .



[Get Price](#)

---



### How Much Does a Mobile Solar Container Cost?

Prices of mobile solar containers range widely from a few thousand dollars for the small foldable type to well over \$250,000 for the larger containers designed for industry. In this article, I will ...

[Get Price](#)

---

## Container Storage Costs

Detailed cost analysis for container storage including equipment, installation, and maintenance considerations for commercial projects.

[Get Price](#)



## Commercial solar panel cost calculator

A 100kW commercial solar system has a total project cost of \$130,000 to \$146,000. This is broken down into roughly \$93,000 for the equipment (panels, inverters, racking) and \$37,000 to ...

[Get Price](#)

## Solar Container Price And A Balance Between Configuration And Cost

Below is an exploration of solar container price ranges, showing how configuration choices capacity, battery size, folding mechanism, and smart controls drive costs. Prices span from ...

[Get Price](#)



## How Much Does It Cost to Have a Solar Container System?

Wondering what a solar container system costs? Explore real-world price ranges, components, and examples to



understand what impacts total cost--and if it's worth the investment.

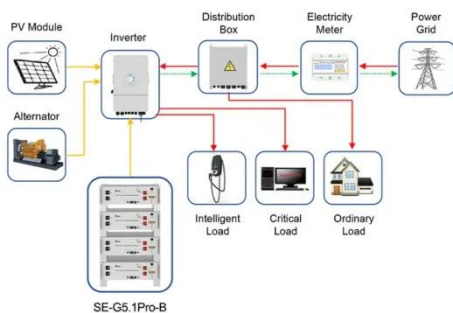
[Get Price](#)

### How much does a 100kW mobile energy storage container for ...

How much does a solar energy storage system cost? PVMars lists the costs of 1mwh-3mwh energy storage system (ESS) with solar here (lithium battery design). The price unit is each watt/hour, total ...



[Get Price](#)



Application scenarios of energy storage battery products

### Cost of 50kW Solar-Powered Container Terminals in Russian Ports

Wondering what a solar container system costs? Explore real-world price ranges, components, and examples to understand what impacts total cost--and if it's worth the

[Get Price](#)

## Contact Us

For catalog requests, pricing, or partnerships, please visit:

<https://www.k3gizycko.pl>

