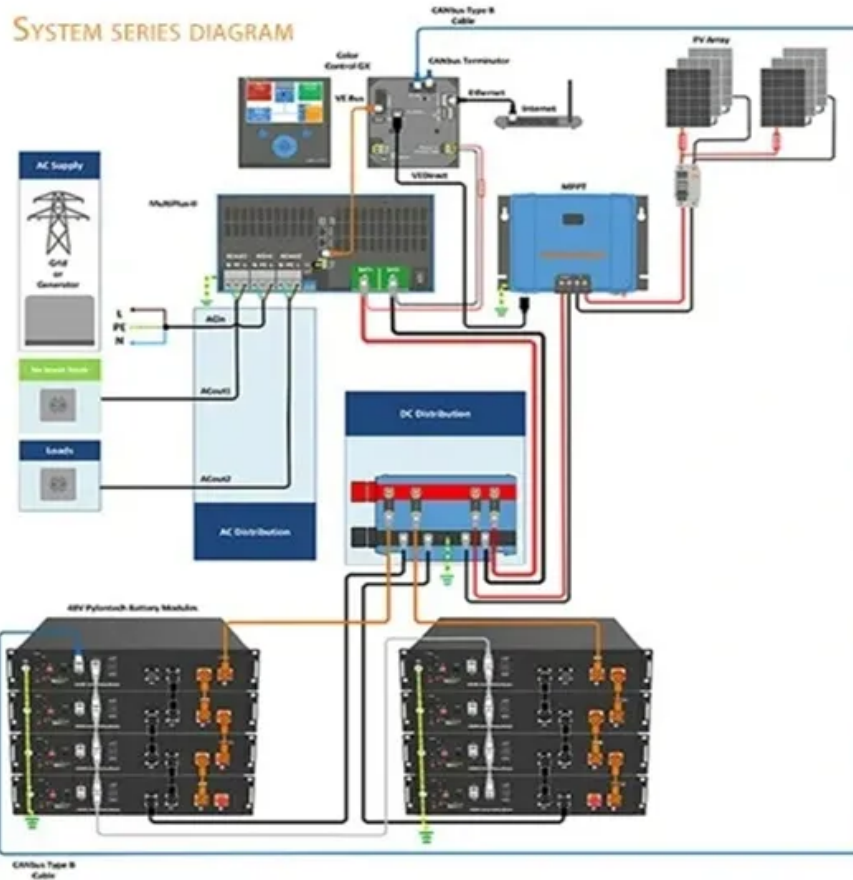


# How high can photovoltaic panels be according to national regulations



## Overview

---

TL;DR - There are actually two “120 % rules” in solar. A utility sizing cap that limits how much PV you can connect relative to your past or expected electricity use. Solar, or photovoltaic (PV) panels as they're referred to in NFPA 1, Fire Code, are becoming more and more common on one- and two-family dwelling and townhouse roofs. Since the 2016 edition of NFPA 1, access pathways have been required on roofs to facilitate fire service access as well as egress. The safe and reliable installation of photovoltaic (PV) solar energy systems and their integration with the nation's electric grid requires timely development of the foundational codes and standards governing solar deployment. Technological advances, new business opportunities, and legislative and. Solar panels sold in the United States need to comply with various standards and regulations, including requirements that cover labeling, documentation, and testing. Understanding both. Hi Everyone. as a part of my residential install research, I have spent weeks working to understand the laws/requirements for solar panel installations on the roof of an occupied dwelling (ie; a home) in the United States. Learn why 18-36 inches has become the industry's golden range for rooftop PV.

## How high can photovoltaic panels be according to national regulations

---



### Building Codes for Solar Panel Installation

In this article, we'll dive deep into the ins and outs of building codes for solar panel installation, covering everything from structural integrity and electrical safety to fire prevention and the permitting process.

[Get Price](#)

---

### Mapping the Codes for Photovoltaic Systems , NFPA

Article 690 addresses PV systems other than the PV generating plant (solar farms) covered in Article 691. Article 691 addresses large-scale systems with an inverter generating capacity of 5000 kW and ...

[Get Price](#)

---



### Solar Panel Regulations in the United States: An Overview

Solar panels sold in the United States need to comply with various standards and regulations, including requirements that cover labeling, documentation, and testing.

[Get Price](#)

---

### Photovoltaic Panel Height



## Standards: What You Need to Know in 2025

The answer lies in photovoltaic panel height standards - the unsung hero of solar efficiency. Recent data from the International Renewable Energy Agency shows properly elevated PV systems yield 18% better energy ...

[Get Price](#)



## The 120 % Solar Rule Explained: What It Means for Homeowners in 2025

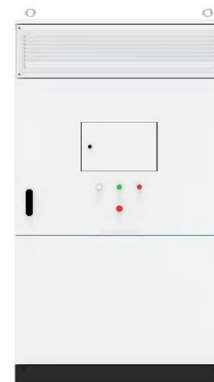
TL;DR - There are actually two "120 % rules" in solar. A utility sizing cap that limits how much PV you can connect relative to your past or expected electricity use. The NEC 120 % busbar rule that limits ...

[Get Price](#)

## Codes and Standards

The safe and reliable installation of photovoltaic (PV) solar energy systems and their integration with the nation's electric grid requires timely development of the foundational codes and standards governing solar deployment.

[Get Price](#)



## Residential Solar Panel Requirements

When installing photovoltaic panels on one- and two-family homes, it's



important to understand the requirements for access pathways and the requirements for setback from the ridge, which only apply to ...

[Get Price](#)

## FAQ: Residential roof installation requirements for the USA

PV systems operating at 80V dc or greater between any two conductors must be protected by a listed PV arc-fault circuit interrupter or other component listed to provide equivalent protection.



[Get Price](#)



## Installation of Photovoltaic Systems

Photovoltaic panels and modules shall be listed and labeled in accordance with UL 1703 or with both UL 61730-1 and UL 61730-2. Inverters shall be listed and labeled in accordance with UL 1741.

[Get Price](#)

## Height Standards for Rooftop Solar Panels: Key Factors and Best

Discover how proper height optimization impacts solar efficiency, safety, and regulatory compliance. Learn why 18-36

inches has become the industry's golden range for rooftop PV installations.

[Get Price](#)



---

## Contact Us

---

For catalog requests, pricing, or partnerships, please visit:  
<https://www.k3gizycko.pl>

