

Horizontal arrangement of photovoltaic panels bracket



Overview

Design the layout of the photovoltaic panels based on roof area and shape. Prepare materials such as rails and fasteners. Secure rails in place using a level to ensure they are parallel and horizontal. Besides roof structure, other considerations include: The incline necessitates with a good variability range of 15° to 60°. The only difference is that all solar. Here's a guide that will help you know everything essential about the PV panel mounting brackets or solar panel brackets- necessities, benefits, types, material components, and probable solar systems, essential few things to consider while choosing the right type, probable steps to install them. To ensure the smooth installation of photovoltaic system brackets and meet design requirements, Guidance Method For The Installation Of PV System Brackets are provided, including ground-mounted, rooftop, adjustable tilt angle, floating, Building-Integrated Photovoltaics (BIPV), bifacial, and. Photovoltaic bracket can be classified in the form of connection mode, installation structure and installation location. According to the connection form, it is divided into welding type and assembly type; according to the installation structure, it is divided into fixed type and day by day type;. Your solar power system requires the proper support system of solar panel mounting brackets. Being a homeowner, contractor, or business owner looking into solar, you need proper bracket selection to make your setup. Meta Description: Discover the critical differences between horizontal and vertical photovoltaic brackets. With global solar capacity projected to.

Horizontal arrangement of photovoltaic panels bracket



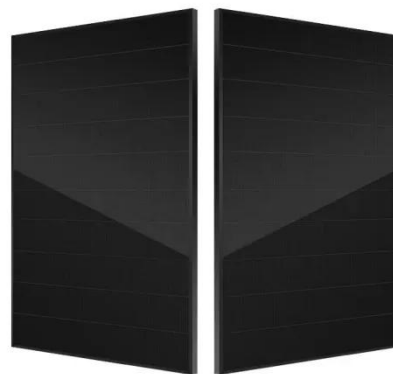
PV Panel Mounting Brackets: A Complete Guide for Solar Efficiency

Here's a guide that will help you know everything essential about the PV panel mounting brackets or solar panel brackets- necessities.

[Get Price](#)

Photovoltaic bracket stacking and packaging method

Three packaging methods for PV modules: a) Landscape vertical packaging is recognized as optimal; b) Horizontal stacking has been eliminated; c) Portrait vertical packaging is applied for larger PV modules.



[Get Price](#)




Product Model
 HJ-ESS-215A(100KW/215KWh)
 HJ-ESS-115A(50KW 115KWh)

Dimensions
 1600*1280*2200mm
 1600*1200*2000mm

Rated Battery Capacity
 215KWH/115KWH

Battery Cooling Method
 Air Cooled/Liquid Cooled



Understanding the 9 Different Types of PV Panel Mounting Brackets

Are you looking to install solar panels on your roof or property but feeling overwhelmed by the various mounting bracket options? Look no further. We will dive into the world of PV panel ...

[Get Price](#)

The best layout of solar

modules:Horizontal vs. Vertical

There are two ways of arranging solar modules in photovoltaic power stations, horizontal and vertical. Horizontal means that the long side of the solar module is parallel to the east-west direction, while ...

[Get Price](#)

- LIQUID/AIR COOLING
- INTELLIGENT INTEGRATION
- PROTECTION IP54/IP55
- BATTERY /6000 CYCLES



Horizontal support arrangement of photovoltaic bracket

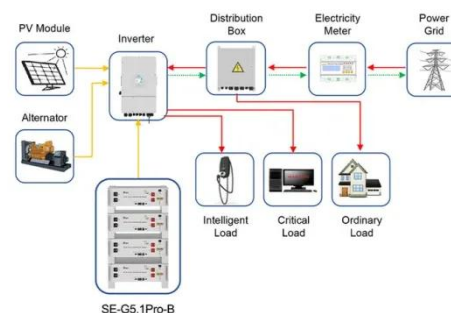
There are two types of module layout in PV power plants, horizontal and vertical, and each has its own considerations regarding the use of horizontal or vertical rows depending on the situation.

[Get Price](#)

Solar Panel Mounting Brackets: A Complete Guide (2025)

Solar panel mounting brackets connect solar panels to their installation areas, whether on rooftops, ground mounts, or poles for stability. Brackets support the solar panels by maintaining the ...

[Get Price](#)



Application scenarios of energy storage battery products

Necessary accessories for PV installation: brackets

Flat single-axis tracking bracket refers to the bracket form that can track the rotation of the sun around a horizontal axis, usually with the axial direction of

north-south. The common tracking ...

[Get Price](#)



Guidance Method For The Installation Of PV System Brackets

By following these detailed guidelines, photovoltaic projects can ensure the successful installation and long-term performance of various types of photovoltaic system brackets.

[Get Price](#)



Horizontal vs. Vertical Solar Mounting Systems: Which Design Wins in

Should you arrange panels horizontally like traditional roof shingles or vertically like modern solar farms? Let's break down the physics, economics, and practical realities.

[Get Price](#)



How to Weld the Horizontal Bracket of Photovoltaic Panels: A Step-by

Let's face it - welding horizontal brackets for photovoltaic panels isn't exactly rocket science, but get it wrong, and

you'll have solar modules doing the cha-cha slide during the next windstorm.

[Get Price](#)



Contact Us

For catalog requests, pricing, or partnerships, please visit:
<https://www.k3gizycko.pl>

