

Highway side solar power generation installation diagram



Highway side solar power generation installation diagram



mail-content aud.hiway

We would like to show you a description here but the site won't allow us.

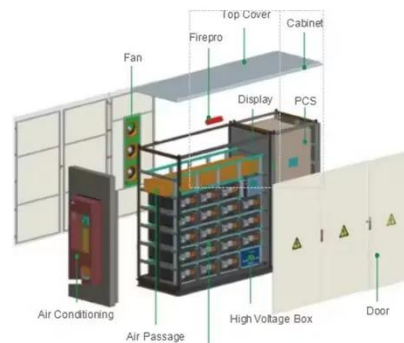
[Get Price](#)

Photovoltaic solar power highway construction

Schematic diagram of the highway photovoltaics (PV) system. Roofing highways with solar panels generates green electricity that is delivered to the grid to replace the electricity from fossil

...

[Get Price](#)



Application of distributed solar photovoltaic power generation in

Therefore, the application in the highway field is very necessary to promote the construction of distributed photovoltaic power generation system. Access to this full-text is provided by

[Get Price](#)



Power Generation on Highway by

using Vertical Axis Wind ...

The solar system is used to generate electrical energy and also installed in a way that it diverts the vehicle air towards the turbine. The generator with the gear mechanism is connected to the shaft of ...

[Get Price](#)



ESS



A Hybrid Electricity Generation In Highways Using Wind And ...

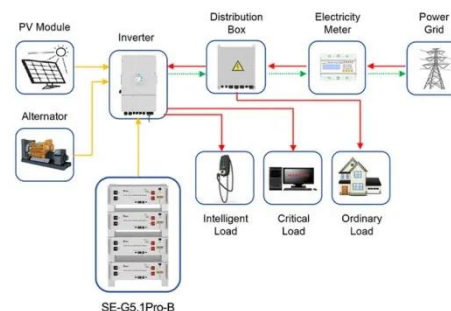
Infrastructure of highways for renewable energy from sun and wind is considered solar power generation peaking during day, especially in sunny conditions, while wind energy can be more consistent and ...

[Get Price](#)

Power generation on highway by using Vertical windmill and ...

The proposed project aims to create a system that can generate power on highways using a combination of vertical axis turbine and solar energy. The project will be divided into three stages, ...

[Get Price](#)



Application scenarios of energy storage battery products

Solar Roads: Turning Highways into Power Generators

By embedding solar panels into highways, we could transform our road



networks into sprawling power plants. This concept offers a dual benefit: supporting traffic while generating clean

...

[Get Price](#)

Turning Roadsides into Solar Farms (2026) , 8MSolar

Roadside solar farms are an innovative approach to renewable energy deployment that utilizes the network of highway medians, shoulders, embankments, and adjacent right-of-way lands ...



[Get Price](#)



(PDF) Solar and Wind Hybrid power generation system for Street lights

The hybrid power generation system combines solar and wind energy for efficient street lighting. LEDs significantly reduce energy consumption while providing high luminous efficiency. A horizontal wind ...

[Get Price](#)

Personal Banking Enrollment

Personal Banking Enrollment For business accounts, please use the Business Banking Enrollment form.

[Get Price](#)

Hybrid Power Generation for Highway Application

Using the HOMER simulation code, a grid- tied wind-solar hybrid power generation system was modeled for a selected location in the Al-Marj's area of Libya (MARJU), located on the coastal belt near ...

[Get Price](#)

Contact Us

For catalog requests, pricing, or partnerships, please visit:
<https://www.k3gizycko.pl>

