

Generator winter wind temperature



Overview

For portable gasoline generators, very cold temperatures affect both engine performance and the gasoline itself. Gas that sits unused for months loses volatility, making it harder to ignite in the engine. The thicker, sludge-like consistency hampers fuel lines and carburetor. As temperature drops, the chemical reactions within a battery slow down, reducing the current it can deliver. Cold weather exposes weaknesses you don't notice during mild months. While you. When winter storms knock out power, your generator becomes your lifeline to heat, light, and safety.

Generator winter wind temperature



How to Prepare Your Generator for Winter: Essential Cold Weather Tips

Proper winterization is essential for ensuring your generator starts reliably and runs efficiently in freezing temperatures. This comprehensive guide covers the essential steps for ...

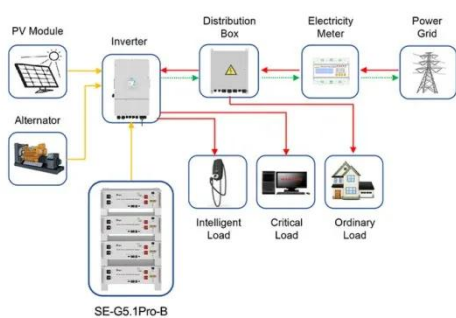
[Get Price](#)

Winterizing Your Home Standby Generator , Home Power Systems

When temperatures drop and winter storms hit, your standby generator becomes your home's most valuable asset. Following a few winterizing steps will ensure it's ready for the cold ...



[Get Price](#)



Application scenarios of energy storage battery products

Preparing Your Generator for Winter: 6 Expert Suggestions

Preparing your generator for winter? Follow these expert tips to keep it running smoothly and reliably during cold weather.

[Get Price](#)

How to Protect Generator in Winter: Essential Tips for Cold Weather

But how do you ensure that your generator stays in top shape throughout the freezing temperatures? In this guide, you'll discover simple yet effective strategies to protect your generator during winter, so ...

[Get Price](#)



- IP65/IP55 OUTDOOR CABINET
- IP54/55
- OUTDOOR ENERGY STORAGE CABINET
- OUTDOOR BATTERY CABINET

How to Winterize a Generator: Essential Tips for Cold Weather

Storing the generator in a dry, cool place protects it from moisture and freezing temperatures. Regular checks and servicing before winter can save you from unexpected failures. ...

[Get Price](#)

KOHLER Generator Homeowners Guide to Winter Weather

Prepare for the cold - Ensure your generator is winter-ready! Check your unit's spec sheet for heater kit recommendations when temperatures drop below 32°F (0°C). Need a cold weather kit? See our ...

[Get Price](#)



Winter Generator Preparation , Cold-Weather Generator Guide

Here's how I guide clients through winter generator preparation before temperatures fall. These steps apply

whether you're running a diesel, natural gas, or dual-fuel unit.

[Get Price](#)



What should I do to prepare my home standby generator if I know a

When expecting a snowstorm or dealing with snow accumulation around your home standby generator, it is important to take proactive steps to ensure safe and reliable operation. This article provides ...

[Get Price](#)



Prepare Your Standby Power Generator for the Winter , Tower ...

In this latest article, we explore essential tips for preparing your residential or commercial generator for the winter season, as well as basic best practices for ensuring power during the cold-weather ...

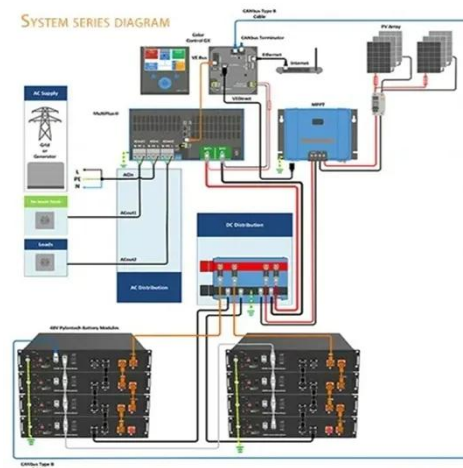
[Get Price](#)

Don't Let the Snow Stop the Power: Operating Your Generator in Cold ...

Here's what you need to know about

generator operation and care in cold, snowy weather. For portable gasoline generators, very cold temperatures affect both engine performance ...

[Get Price](#)



Contact Us

For catalog requests, pricing, or partnerships, please visit:
<https://www.k3gizycko.pl>

