

# FeLithium Battery



## Overview

---

A lithium-ion battery or Li-ion battery is a type of rechargeable battery that uses the reversible intercalation of Li ions into electronically conducting solids to store energy. Compared to other types of rechargeable batteries, they generally have higher specific energy, energy density, and energy efficiency and a longer cycle life and calendar life. In the three decades after Li-ion batteries were first sold i. Specific energy1–270 W·h/kg (3.6–972.0 kJ/kg)Energy density250–693 W·h/L (900–2,490 J/cm<sup>3</sup>)Specific power1–10,000 W/kgCharge/discharge efficiency80–90%HistoryOne of the earliest examples of research into lithium-ion batteries is a CuF<sub>2</sub>/Li battery developed by in 1965. The breakthrough that produced the earliest form of the modern Li-ion battery was made by British c. Generally, the negative electrode of a conventional lithium-ion cell is made from . The positive electrode is typically a metal or phosphate. The is a in an . The negative el. Lithium-ion batteries may have multiple levels of structure. Small batteries consist of a single battery cell. Larger batteries connect cells into a module and connect modules and parallel into a pack. Multi. Lithium-ion batteries are used in a multitude of applications, including, toys, power tools, and electric vehicles. More niche uses include backup power in telecommu.

## FeLithium Battery

---



### Upgraded LiFePO4 Lithium Battery 12V 15Ah

?Power Your Adventures with Deep Cycle LiFePO4 Battery & Smart BMS Protection? Engineered for endurance, our 12V 15Ah rechargeable LiFePO4 battery delivers reliable deep-cycle ...

[Get Price](#)

---

### How Lithium-ion Batteries Work , Department of Energy

From laptops and cell phones to hybrids and electric cars, this technology is growing in popularity due to its light weight, high energy density, and ability to recharge. So how does it work? ...

[Get Price](#)



### Lithium Battery

Our full range of lithium ion solar battery products is designed for households, businesses, and industrial users who want dependable storage and long service life. Each Felicity lithium battery is built with ...

[Get Price](#)

---

### Lithium-ion battery explosion sparks fire, injures one at Boone

BOONE -- One person was injured after a lithium-ion battery exploded and sparked a fire at an apartment in Boone on Wednesday.

[Get Price](#)



## Li Fe Po4 Battery: The Future of Reliable Energy Storage

What is a Li Fe Po4 Battery? A Li Fe Po4 battery is a rechargeable battery based on lithium iron phosphate as the cathode material. Compared to traditional lithium-ion batteries, Li Fe Po4 chemistry ...

[Get Price](#)

## A Guide To The 6 Main Types Of Lithium Batteries

Your guide for understanding the six main types of lithium batteries, their pros and cons, and the best applications for each.

[Get Price](#)



## Lithium-Ion Battery

Not only are lithium-ion batteries widely used for consumer electronics and electric vehicles, but they also account for over 80% of the more than 190 gigawatt-hours (GWh) of battery energy

storage ...

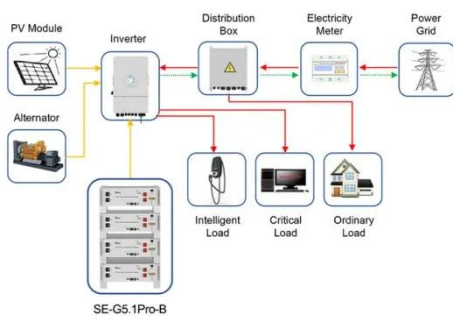
[Get Price](#)



## Lithium-ion battery

A lithium-ion battery or Li-ion battery is a type of rechargeable battery that uses the reversible intercalation of Li + ions into electronically conducting solids to store energy.

[Get Price](#)



Application scenarios of energy storage battery products

## Felicity Lithium Battery & Lithium Ion Solar Battery

Introducing Felicity lithium battery series. Durable lithium ion solar battery and lithium battery storage system solutions for homes, businesses, and industries. Compact and versatile, the FLB line is built ...

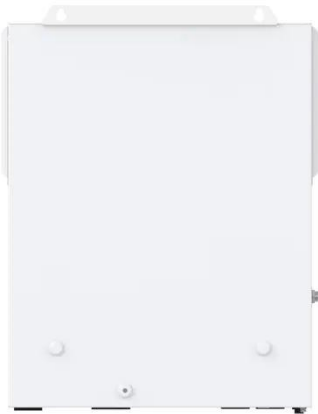
[Get Price](#)

## A Guide To The 6 Main Types Of Lithium Batteries

Additionally, it examines various cathode materials crucial to the performance and

safety of Li-ion batteries, such as spinels, lithium metal oxides, and olivines, presenting their distinct ...

[Get Price](#)



### **Lithium-ion battery fundamentals and exploration of cathode materials**

Additionally, it examines various cathode materials crucial to the performance and safety of Li-ion batteries, such as spinels, lithium metal oxides, and olivines, presenting their distinct ...

[Get Price](#)

## **Contact Us**

For catalog requests, pricing, or partnerships, please visit:  
<https://www.k3gizycko.pl>

