

Factory price battery storage in uruguay



Overview

6Wresearch actively monitors the Uruguay Lithium-Ion Battery Energy Storage System Market and publishes its comprehensive annual report, highlighting emerging trends, growth drivers, revenue analysis, and forecast outlook. 08% in 2027, following an initial rate of 0. The country's electricity matrix is highly renewable, with over 97% of its power generated from renewable sources. This renewable. storage and providing guidelines for. Capital cost of 1 MW/4 MWh battery storage co-located with solar PV in India is estimated at \$18 shares are in the range of ~40-50 %. We estimate optimal battery storage and power generating capacities and their hourly operation in a 2040 Indian. The 48V lithium-ion battery has become the sweet spot for commercial solar setups - and here's why it matters to your wallet. You've probably seen 100kW battery price quotes all over the map - from "too good to be true" deals to "are they nuts?"

" premiums.

Factory price battery storage in uruguay



URUGUAY BATTERY STORAGE AND SMART GRIDS

How much does a storage battery cost per watt As of recent estimates, the average cost is around \$250 to \$400 per kilowatt-hour (kWh) of storage capacity, equating to approximately \$0.25 to \$0.40 per ...

[Get Price](#)

Uruguay solar power battery storage cost

When we dive deep into the realm of solar PV battery storage costs, it's essential to not only focus on the upfront expenses but to also uncover cost-saving strategies that can significantly cut down your ...



[Get Price](#)



Uruguay Solar Energy and Battery Storage Market (2025-2031)

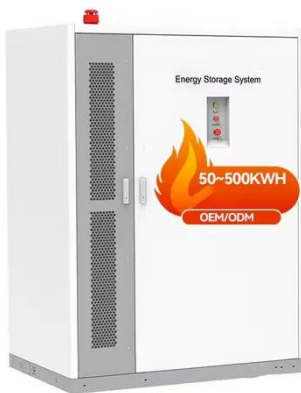
Our analysts track relevant industries related to the Uruguay Solar Energy and Battery Storage Market, allowing our clients with actionable intelligence and reliable forecasts tailored to emerging regional ...

[Get Price](#)

Uruguay Battery Storage and Smart Grids

Uruguay's favorable regulatory framework, tax incentives, and ongoing modernization projects, such as the deployment of intelligent electricity meters funded by the Inter-American ...

[Get Price](#)



Uruguay Energy Storage Market (2025-2031) , Forecast & Outlook

Market Forecast By Type (Pumped-Hydro Storage, Battery Energy Storage Systems, Others), By Application (Residential, Commercial, Industrial) And Competitive Landscape

[Get Price](#)

URUGUAY BATTERY STORAGE AND SMART GRIDS

You've probably seen 100kW battery price quotes all over the map - from "too good to be true" deals to "are they nuts?" premiums. Last month, a Boston school district paid \$43,000 for a commercial ...

[Get Price](#)

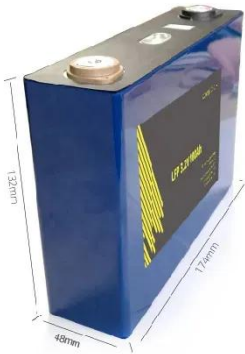


Uruguay energy storage lead-acid battery prices

The country's Uruguay Energy Storage Lead-Acid Battery Price Trends and PowerVault Technologies - When it

comes to energy storage solutions in Uruguay, lead-acid batteries remain a popular choice ...

[Get Price](#)



Uruguay Lithium-Ion Battery Energy Storage System Market (2025 ...

6Wresearch actively monitors the Uruguay Lithium-Ion Battery Energy Storage System Market and publishes its comprehensive annual report, highlighting emerging trends, growth drivers, revenue ...

[Get Price](#)



Uruguay Battery Energy Storage Market (2025-2031) , Forecast

6Wresearch actively monitors the Uruguay Battery Energy Storage Market and publishes its comprehensive annual report, highlighting emerging trends, growth drivers, revenue analysis, and ...

[Get Price](#)

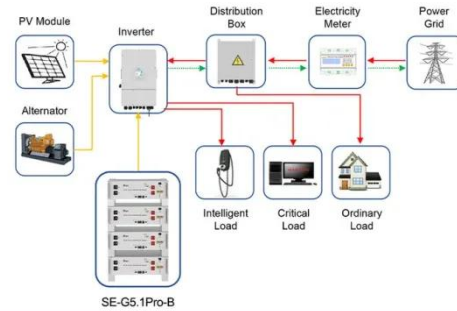


URUGUAY BATTERY STORAGE AND SMART GRIDS

We rate batteries by reviewing storage capacity, power output, safety considerations, system design and

usability, warranty, company financial performance, U.S. investment, price, and industry opinion.

[Get Price](#)



Application scenarios of energy storage battery products

Contact Us

For catalog requests, pricing, or partnerships, please visit:
<https://www.k3gizycko.pl>

