

Energy storage system structure design price



Overview

With Energy Storage Cost Calculator, compare how pricing differences among technology developers impact Levelized Cost of Storage (LCOS). Just enter the names and commercial prices of up to three solutions to get the detailed report and compare their LCOS developed based on. The price is the expected installed capital cost of an energy storage system. Because the capital cost of these systems will vary depending on the power (kW) and energy (kWh) rating of the system, a range of system prices is provided. Cole, Wesley and Akash Karmakar. Cost Projections for Utility-Scale Battery Storage: 2023 Update. Current Market Overview: Energy. This article takes a closer look at the construction cost structure of an energy storage system and the major elements that influence overall investment feasibility—providing valuable insights for investors and industry professionals.

Energy storage system structure design price



Energy Storage System Cost Analysis for Renewable Energy

Explore a comprehensive guide on energy storage system cost analysis for renewable energy, tailored for Energy Storage Engineers.

[Get Price](#)

Energy Storage Power Station Costs: Breakdown & Key Factors

This article takes a closer look at the construction cost structure of an energy storage system and the major elements that influence overall investment feasibility--providing valuable ...



[Get Price](#)



Energy Storage Cost and Performance Database

DOE's Energy Storage Grand Challenge supports detailed cost and performance analysis for a variety of energy storage technologies to accelerate their development and deployment.

[Get Price](#)

2022 Grid Energy Storage Technology Cost and Performance

...

The 2022 Cost and Performance Assessment provides the levelized cost of storage (LCOS). The two metrics determine the average price that a unit of energy output would need to be sold at to cover all ...

[Get Price](#)

Cost Projections for Utility-Scale Battery Storage: 2023 Update

In this work we describe the development of cost and performance projections for utility-scale lithium-ion battery systems, with a focus on 4-hour duration systems. The projections are developed from an ...

[Get Price](#)

Solar Installed System Cost Analysis

NLR's bottom-up cost modeling methodology, shown here for residential PV systems, considers a wide set of factors and many interactions between them. These bottom-up models ...

[Get Price](#)

Energy Storage Cost Calculator

With Energy Storage Cost Calculator, compare how pricing differences among technology developers impact Levelized Cost of Storage (LCOS). Just enter the

names and commercial prices of up to three ...

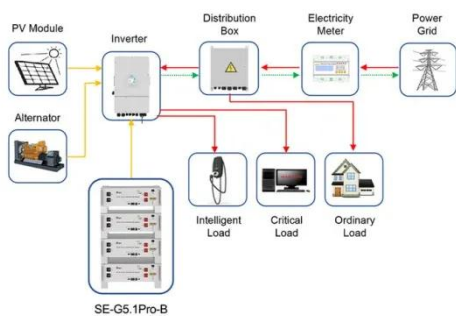
[Get Price](#)



Energy storage cost - analysis and key factors to consider

This article analyzes energy storage costs and highlights their significance in the realm of renewable energy systems. The analysis delves into the components and costs associated with lithium-ion ...

[Get Price](#)



Application scenarios of energy storage battery products

2024 US Energy Storage System Price List: Trends, Costs & Key ...

Summary: Explore the latest pricing trends for energy storage systems in the US market. This guide breaks down residential, commercial, and utility-scale ESS costs, analyzes key price drivers, and ...

[Get Price](#)

DOE ESHB Chapter 25: Energy Storage System Pricing

This chapter, including a pricing survey, provides the industry with a standardized energy storage system

pricing benchmark so these customers can discover comparable prices at different market ...

[Get Price](#)



Contact Us

For catalog requests, pricing, or partnerships, please visit:
<https://www.k3gizycko.pl>

