

Energy storage cabinet using relay



Overview

A BESS cabinet is an industrial enclosure that integrates battery energy storage and safety systems, and in many cases includes power conversion and control systems. It is designed for rapid deployment, standardized installation, and reliable long-term operation. An Introduction to Protective Relays for Solar-Plus-Storage Systems Electrical relays, protective devices used to switch power on or off for parts of a circuit, have been integrated into circuits for nearly two hundred years. The first example of a relay dates back to the mid-nineteenth century. ble or when demand for electricity is high. Possesses integration capabilities for various applications. The main devices used in the PV system are PV cells, an inverter to convert the DC to AC voltage, Combiners, Trackers to adjust the angles of the PV cells, switching devices to protect from short circuits and lastl o Using Relay Module with Arduino.

Energy storage cabinet using relay



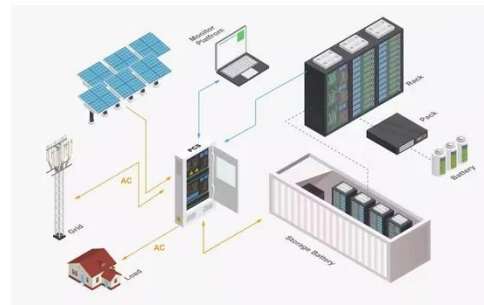
Relay application in energy storage cabinet

0a high current three-phase latching relay. It h s stable performance and long service life. Wide Application for Energy Meter, Power Distribution Cabinet, EV Charger, IOT

[Get Price](#)

Energy Storage and High Voltage Relays: Powering the New Energy Era

A San Diego energy storage facility using vacuum-sealed relays kept 5 hospitals operational. That's right - while neighbors played board games by candlelight, surgeons kept ...



[Get Price](#)



Solar Energy Storage Cabinet

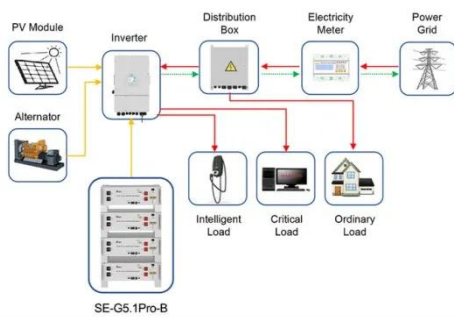
Our company has the design and production capacity of UPS power supply, PCS power supply, off-grid photovoltaic inverter, and off-grid photovoltaic inverter. Possesses integration capabilities for various ...

[Get Price](#)

BESS CABINET

A BESS cabinet is an industrial enclosure that integrates battery energy storage and safety systems, and in many cases includes power conversion and control systems.

[Get Price](#)



Application scenarios of energy storage battery products

Integrated energy storage cabinets

To use an integrated energy storage cabinet, install batteries and related equipment into designated compartments. The cabinet provides a centralized and secure storage solution for energy storage ...

[Get Price](#)

High-Performance Energy Storage Cabinet Solutions , SLENERGY

SLENERGY provides advanced energy storage cabinets with intelligent control, high safety, and long-term performance for commercial and industrial power applications.

[Get Price](#)



Energy storage cabinet using relay

Energy storage cabinet using relay shines at the exhibition in Japan. During the exhibition, YouNatural displayed lithium battery products such as solar energy storage systems, industrial

energy storage ...

[Get Price](#)



All-in-One Energy Storage Cabinet & BESS Cabinets , Modular, ...

Featuring lithium-ion batteries, integrated thermal management, and smart BMS technology, these cabinets are perfect for grid-tied, off-grid, and microgrid applications. Explore reliable, and IEC ...

[Get Price](#)



An Introduction to Protective Relays for Solar-Plus-Storage Systems

In this article, we'll explain how protective relays work, review some of the most common relay functions for solar and energy storage systems, and provide best practices for relay ...

[Get Price](#)



Contact Us

For catalog requests, pricing, or partnerships, please visit:

<https://www.k3gizycko.pl>

