

Energy storage battery box charging port



Overview

This help sheet provides information on how battery energy storage systems can support electric vehicle (EV) fast charging infrastructure. It is an informative resource that may help states, communities, and other stakeholders plan for EV infrastructure deployment, but it is not intended to be used. EV charging is putting enormous strain on the capacities of the grid. To prevent an overload at peak times, power availability, not distribution might be limited. Our intelligent . EVB delivers smart, all-in-one solutions by integrating PV, ESS, and EV charging into a single system.

Energy storage battery box charging port

Energy Storage System for Fast EV Charging , EVB

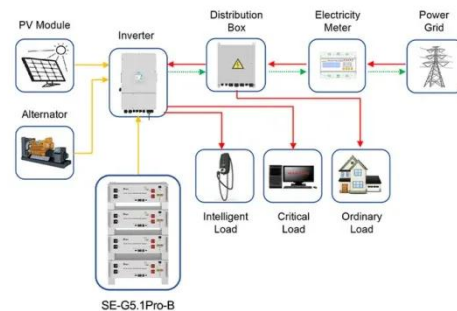


Designed for a wide range of use cases, from commercial facilities to public stations, our solutions combine EV chargers with battery storage, enabling energy storage for EV charging and improving ...

[Get Price](#)

BYD Battery-Box - BYD Battery-Box

The BYD Battery-Box Premium LVL is a lithium iron phosphate (LFP) battery for use with an external inverter. Thanks to its control and communication port (BMU), the Battery-Box Premium LVL scales ...



Application scenarios of energy storage battery products

[Get Price](#)



ChargePort DC: Fast EV Charging with Buffer Battery Technology

Make the right choice EV charging station of the future. ChargePort enables faster charging, optimized power supply, and wider availability of charging locations.

[Get Price](#)

Enhancing EV Charging Infrastructure with Battery Energy Storage

As the demand for electric vehicles (EVs) continues to grow, ensuring a reliable and efficient charging infrastructure has become a top priority. One of the most effective ways to achieve ...

[Get Price](#)



Standard 20ft containers



Standard 40ft containers

Battery-based energy storage

Our Liduro Power Port is an easy-to-use integrated or stand-alone power source for electric vehicles and machines on construction sites with limited or no mains supply.

[Get Price](#)

BATTERY ENERGY STORAGE SYSTEMS FOR CHARGING ...

Reinforcing the grid takes many years and leads to high costs. The delays and costs can be avoided by buffering electricity locally in an energy storage system, such as the mtu EnergyPack.

[Get Price](#)



Products & Services - Energport

Energport serves the utility and developer market with multi-MWh solutions featuring 40' container or skid-based designs. These scalable designs feature integrated LFP battery racks,

power electronics, ...

[Get Price](#)



Battery Energy Storage System Components

Explore the key components of a battery energy storage system and how each part contributes to performance, reliability, and efficiency.

[Get Price](#)



Energy Storage Charging Pile Containers: The Future of EV Charging

Enter energy storage charging pile containers - the Swiss Army knives of EV infrastructure. These modular systems combine lithium-ion batteries, smart grid tech, and rapid chargers in portable steel ...

[Get Price](#)



Battery Energy Storage for Electric Vehicle Charging Stations

When an EV requests power from a battery-buffered direct current fast

charging (DCFC) station, the battery energy storage system can discharge stored energy rapidly, providing EV charging at a rate ...

[Get Price](#)



Contact Us

For catalog requests, pricing, or partnerships, please visit:
<https://www.k3gizycko.pl>

