

Do photovoltaic panels need to generate electricity every year



Overview

The amount of electricity that photovoltaic solar energy generates in a year varies based on several factors, including 1. Solar panels degrade slowly, losing about 0.5% output per year, and often last 25–30 years or more. 5 kWh of energy per day, depending on local. To calculate solar panel output per day (in kWh), we need to check only 3 factors: Solar panel's maximum power rating. That's the wattage; we have 100W, 200W, 300W solar panels, and so on. South. Solar technologies convert sunlight into electrical energy either through photovoltaic (PV) panels or through mirrors that concentrate solar radiation. Below, you can find resources and information on the. Photovoltaic (PV) solar power systems harness energy from sunlight and convert it into electricity. Locations that receive ample sunlight, such as deserts or areas on the equator, can produce.

Do photovoltaic panels need to generate electricity every year



How Much Energy Does A Solar Panel Produce?

If you're thinking about going solar, one of your biggest questions is likely: how much electricity can a solar panel actually produce? This in-depth guide breaks down the numbers, the ...

[Get Price](#)

How many solar panels do I need for my home? 2026 guide

The amount of power (kWh) your solar energy system can produce depends on how much sunlight your roof receives, which creates your production ratio. The sunlight you get in a year ...



[Get Price](#)



How Does Solar Work?

Solar energy technology doesn't end with electricity generation by PV or CSP systems. These solar energy systems must be integrated into homes, businesses, and existing electrical grids with varying ...

[Get Price](#)

How Much Energy Does a Solar

Panel Produce in 2025?

A typical 6-8kW residential system can generate 8,000-12,000 kWh per year, covering 80-120% of average household electricity needs. Key factors affecting solar energy production ...

[Get Price](#)



To Strive forward No Energy Waste



- ✓ All in one
- ✓ 100~215kWh High-capacity
- ✓ Intelligent Integration

How many solar panels do I need for my home? 2026 ...

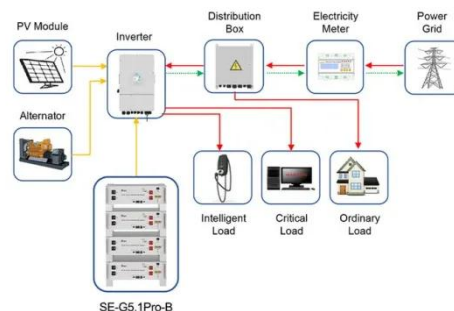
The amount of power (kWh) your solar energy system can ...

[Get Price](#)

How Much Energy Does A Solar Panel Produce?

The amount of sunlight that hits a solar panel is one of the biggest factors in how much electricity it will generate. The more sunlight available to the panel, the more electricity it can produce.

[Get Price](#)



Application scenarios of energy storage battery products

How Much Energy Can a Solar Panel Produce for Your Home?

The total solar energy produced from a solar panel depends on the sunlight hours & its intensity. The electricity produced from a solar panel is often

calculated on a daily, monthly, and yearly basis.

[Get Price](#)



How much electricity does photovoltaic solar energy generate in a year

The amount of electricity that photovoltaic solar energy generates in a year varies based on several factors, including 1. location, 2. system size, 3. technology efficiency, 4. weather conditions.

[Get Price](#)



INTEGRATED DESIGN

EASY TO TRANSPORT AND INSTALL,
FLEXIBLE DEPLOYMENT



Solar Panel kWh Calculator: kWh Production Per Day, Month, Year

Based on this solar panel output equation, we will explain how you can calculate how many kWh per day your solar panel will generate. We will also calculate how many kWh per year do solar panels ...

[Get Price](#)

How Much Electricity Do Solar Panels Produce? A Full ...

Learn how much electricity solar panels produce per day, month, and year, plus the key factors that affect your solar system's output.

[Get Price](#)



Understanding how much energy is produced by solar systems

Yes, although shade can reduce solar energy generation efficiency, it's still possible to install panels on partially shaded roof areas and produce significant amounts of electricity each day ...

[Get Price](#)

Contact Us

For catalog requests, pricing, or partnerships, please visit:
<https://www.k3gizycko.pl>

