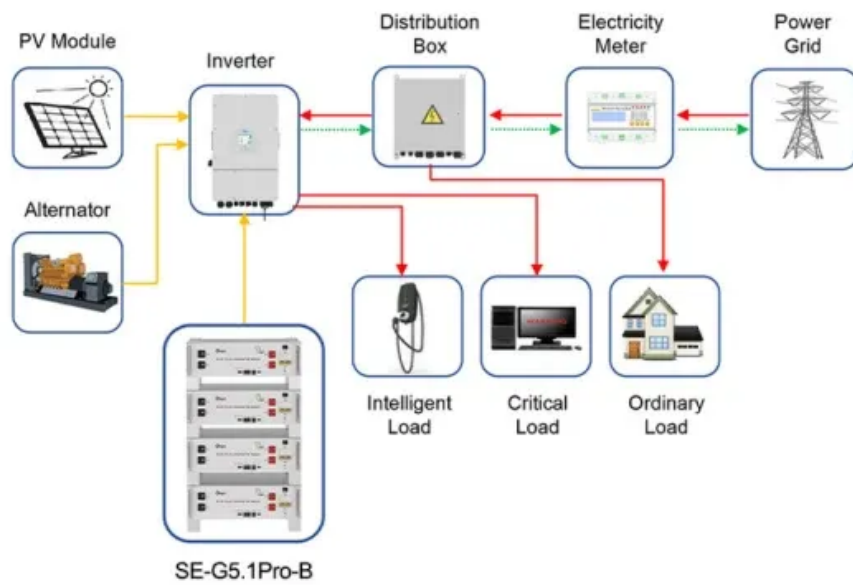


Construction of dominica air energy storage project



Application scenarios of energy storage battery products



Overview

The new BESS project is designed to significantly reduce reliance on diesel generation, enhances electricity quality, and strengthens infrastructure resilience in key regions of the island. The commissioning of a 6 MW / 6 MWh Battery Energy Storage System (BESS), installed at the DOMLEC facility in the Fond. world's largest compressed air energy storage project in China. BW SS and Ingrid Capaci ble energy supply with a 30. The CAES plant"s. Washington, D., Janu, The World Bank's Board of Executive Directors approved a project designed to support the Commonwealth of Dominica in developing and integrating clean, sustainable and low-cost energy.

Construction of dominica air energy storage project



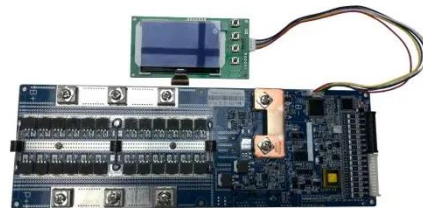
Dominica mit energy storage

A 5-megawatt/2.5 megawatt-hours battery energy storage system is slated to provide the Commonwealth of Dominica the necessary reserve power from existing sources of renewable energy ...

[Get Price](#)

Wind Solar and Energy Storage Projects in Dominica A Clean Energy

Discover how Dominica is leveraging wind, solar, and battery storage systems to achieve energy independence while addressing climate resilience. This guide explores active projects, data-driven ...



[Get Price](#)



Dominica Wind Solar and Energy Storage Project

What will Dominica's geothermal project look like in 2023/2024? The 2023/2024 fiscal year will see a continued commitment to this project, with a specific focus on the construction of the geothermal ...

[Get Price](#)

Construction starts on 99MWh

battery unit in ...

Construction has started on the first major solar-plus-storage project in the Dominican Republic, featuring a 99MWh battery system.

[Get Price](#)



The World Bank supports clean energy generation in Dominica

This project is designed to support the Commonwealth of Dominica in developing and integrating clean, sustainable and low-cost energy. Through this \$38.5 million project, a new robust ...

[Get Price](#)

Dominica's Energy Transformation: How BESS is Changing the Game

The commissioning of a 6 MW / 6 MWh Battery Energy Storage System (BESS), installed at the DOMLEC facility in the Fond Colé area, is nearing completion. Installation is already finished, ...

[Get Price](#)



Dominica compressed air energy storage project put into operation

From pv magazine print edition 3/24. In a disused mine-site cavern in the Australian outback, a 200 MW/1,600

MWh compressed air energy storage project is being developed by Canadian company ...

[Get Price](#)



DOMINICA MODERN ENERGY STORAGE POWER STATION ...

AZE's lithium battery energy storage system (BESS) is a complete system design with features like high energy density, battery management, multi-level safety protection, an outdoor cabinet with a modular ...

[Get Price](#)



ENERGY SNAPSHOT DOMINICA

Construction has started on the first major solar-plus-storage project in the Dominican Republic, which features a 24.8MW/99MWh battery energy storage system (BESS).

[Get Price](#)



Contact Us

For catalog requests, pricing, or partnerships, please visit:
<https://www.k3gizycko.pl>

