

Comprehensive analysis of the photovoltaic energy storage industry



Overview

The report on the solar energy storage market provides a holistic analysis, market size and forecast, trends, growth drivers, and challenges, as well as vendor analysis covering around 25 vendors. The US Energy Storage Monitor is a quarterly publication of Wood Mackenzie Power & Renewables and the American Clean Power Association (ACP). Each quarter, new industry data is compiled into this report to provide the most comprehensive, timely analysis of energy storage in the US. All forecasts. The US solar industry installed 7.5 gigawatts direct current (GW dc) of capacity in Q2 2025, a 24% decline from Q2 2024 and a 28% decrease since Q1 2025. Solar accounted for 56% of all new electricity-generating capacity added to the US grid in the first half of 2025, with a total of 18 GW. This increase aims at developing new energy storage technologies that improve grid reliability, manage peak load demand, and support the shift toward a decarbonized electricity system. Rising concerns over grid instability and power outages are accelerating the deployment of energy storage systems. As solar energy adoption accelerates globally, efficient power storage solutions are no longer optional—they're essential. 96 billion during 2023-2028, accelerating at a CAGR of 10. It is anticipated that the revenue will experience a compound annual growth rate (CAGR 2026-2032) of xx%, leading to a market volume USD xx Billion by 2032 This "Photovoltaic Energy.

Comprehensive analysis of the photovoltaic energy storage industry



US Energy Storage Monitor

The US Energy Storage Monitor is a quarterly publication of Wood Mackenzie Power & Renewables and the American Clean Power Association (ACP). Each quarter, new industry data is compiled into this ...

[Get Price](#)

Solar Energy Storage Market Size & Share Report, 2025 - 2034

Government incentives for solar-plus-storage installations and net metering policies enhancing storage demand along with rising environmental concerns will augment the business landscape.

[Get Price](#)



Trends in PV Applications 2024

For the 29th consecutive year, the IEA-PVPS Trends report is now available. This document provides the most comprehensive global overview of the development of the Photovoltaics sector, covering ...

[Get Price](#)

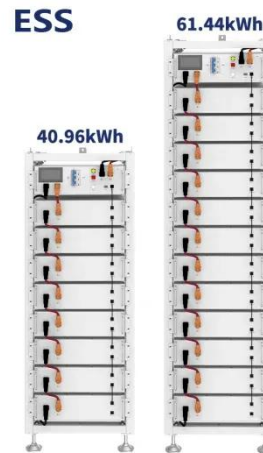


Photovoltaic Power Storage Case Analysis: Key Trends and Solutions

...

This article explores real-world applications of photovoltaic (PV) storage systems, analyzes industry challenges, and reveals how innovations are reshaping energy management for businesses and ...

[Get Price](#)



Solar Energy Storage Market Size, Competitors & Forecast

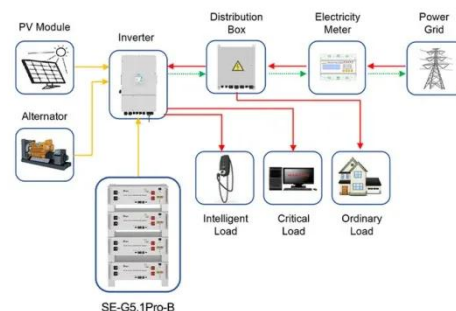
Solar Storage systems are designed to store excess energy generated by solar panels, allowing users to access the energy when needed. These systems are typically composed of batteries, inverters, and ...

[Get Price](#)

Techno Economic Analysis of Grid Connected Photovoltaic Systems ...

The findings from this research aim to aid consumers, businesses, utilities, and legislators in making informed decisions that optimize solar energy advantages, diminish grid reliance, and ...

[Get Price](#)



Application scenarios of energy storage battery products

To Comprehend the Photovoltaic Energy Storage Charging Pile

New York, USA - Photovoltaic Energy Storage Charging Pile market is estimated to reach USD xx Billion by



2024. It is anticipated that the revenue will experience a compound annual growth ...

[Get Price](#)

Comprehensive review of energy storage systems technologies, ...

This paper presents a comprehensive review of the most popular energy storage systems including electrical energy storage systems, electrochemical energy storage systems, mechanical ...

[Get Price](#)



Solar Market Insight Report Q3 2025 - SEIA

The US solar industry installed 7.5 gigawatts-direct current (GWdc) of capacity in the second quarter of 2025, a 24% decline from Q2 2024 and a 28% decrease compared with Q1 2025.

[Get Price](#)

Solar Photovoltaic and Storage Supply Chains and Technology ...

The analysis and cost model results in this presentation ("Data") are provided by the National Renewable Energy Laboratory ("NREL"), which is operated

by the Alliance for Sustainable ...

[Get Price](#)



Contact Us

For catalog requests, pricing, or partnerships, please visit:
<https://www.k3gizycko.pl>

