

Castrie energy storage data



Overview

Summary: Discover how the Castries energy storage project's \$120 million investment is reshaping renewable energy infrastructure in the Caribbean. As global energy demands rise, solar power systems paired with intelligent storage solutions are revolutionizing how businesses and households manage electricity. With global renewable energy. Visit the FEMA website for the latest information on Winter Storm Fern. That's enough saved fuel to power 300 sunset catamaran cruises - not that we're counting margarita-related energy demands.

Castrie energy storage data



Driving directions to Microsoft Headquarters, One Microsoft Way

Realtime driving directions to Microsoft Headquarters, One Microsoft Way, Redmond, based on live traffic updates and road conditions - from Waze fellow drivers

[Get Price](#)

Microsoft account , Sign In or Create Your Account Today - Microsoft

Get access to free online versions of Outlook, Word, Excel, and PowerPoint.

[Get Price](#)



Where is Microsoft's Headquarters? Main Office Location and Global

Microsoft is a global technology corporation known for its software, services, and hardware, including the Windows operating system and the Azure cloud platform. This article will explore the company's ...

[Get Price](#)

Microsoft Support

Microsoft Support is here to help you with Microsoft products. Find how-to articles, videos, and training for Microsoft Copilot, Microsoft 365, Windows 11, Surface, and more.

[Get Price](#)



DETAILS AND PACKAGING



- 1 USER MANUAL PDF
- 2 RJ45 Cable For RS485/CAN
- 3 Battery in Parallel Cables
- 4 RJ45 TO USB Monitor Cable
- 5 M8 Terminal*4

Castrie Energy Storage Data Powering the Future of Energy ...

From cost optimization to carbon reduction, smart energy storage isn't just about batteries - it's about data-driven decisions. With evolving technologies and smarter grids, the question isn't if you need ...

[Get Price](#)

Could Microsoft Stock Hit \$600 in 2026 Despite OpenAI Woes?

Microsoft is trading near \$400 price levels, but consensus estimates call for the stock to rally above \$600 over the next year. Is MSFT stock a buy after the recent crash?

[Get Price](#)



Office 365 login

Collaborate for free with online versions of Microsoft Word, PowerPoint, Excel, and OneNote. Save documents, spreadsheets, and presentations online,

in OneDrive.

[Get Price](#)



Microsoft - AI, Cloud, Productivity, Computing, Gaming & Apps

Explore Microsoft products and services and support for your home or business. Shop Microsoft 365, Copilot, Teams, Xbox, Windows, Azure, Surface and more.

[Get Price](#)



National Energy Castries Energy Storage: Powering the Future Smartly

Now imagine that scaled for national energy needs. Castries' recent 20MW thermal storage project reduced diesel generator use by 60% during peak tourism season. That's enough ...

[Get Price](#)



Castrie Energy Storage Power Industrial Design

C& I energy storage also improves the resilience of the power grid by providing backup power during outages or

interruptions. In an era where business operations rely on a consistent power ...

[Get Price](#)



Sign in to your account

Securely sign in to access your Microsoft account and manage emails, calendars, and other services efficiently.

[Get Price](#)

CASTRIES ENERGY STORAGE RESEARCH AND DEVELOPMENT

This product is a new energy storage box (multi-purpose backup power station), built-in high-capacity LiFePO4 pouch cells, combined with a high-strength aluminum alloy shell, is a rechargeable power ...

[Get Price](#)



Castrie solar Container Power

Customize your container according to various configurations, power outputs, and storage capacity according to your needs. Lower your environmental

impact and achieve sustainability objectives by ...

[Get Price](#)

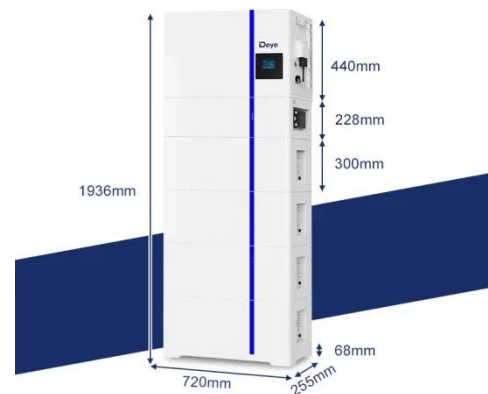


Energy Storage Reports and Data

The following resources provide information on a broad range of storage technologies.

[Get Price](#)

ESS



Castrie Photovoltaic Energy Storage Equipment: Key Solutions for

As global energy demands rise, solar power systems paired with intelligent storage solutions are revolutionizing how businesses and households manage electricity. This article explores how Castrie ...

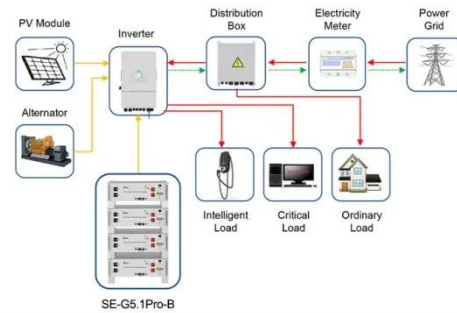
[Get Price](#)

Castries Energy Storage Subsidy Guide Benefits Industry Impact

This guide explores funding opportunities, technical requirements, and real-world applications of grid-scale

battery projects in the Caribbean energy transition.

[Get Price](#)



Application scenarios of energy storage battery products



Castries Energy Storage Project: Investment Breakdown and ...

Explore financial details, technological innovations, and what this means for sustainable development in the region. With global renewable energy capacity projected to grow by 75% before 2030, storage ...

[Get Price](#)

Sign in to your account

Access and manage your Microsoft account, subscriptions, and settings all in one place.

[Get Price](#)



Contact Us

For catalog requests, pricing, or partnerships, please visit:
<https://www.k3gizycko.pl>

