

Brazil Battery Energy Storage Cabinet 200kW



Brazil Battery Energy Storage Cabinet 200kW



Brazil's Solar Boom: Why Energy Storage is Key for Businesses in 2025

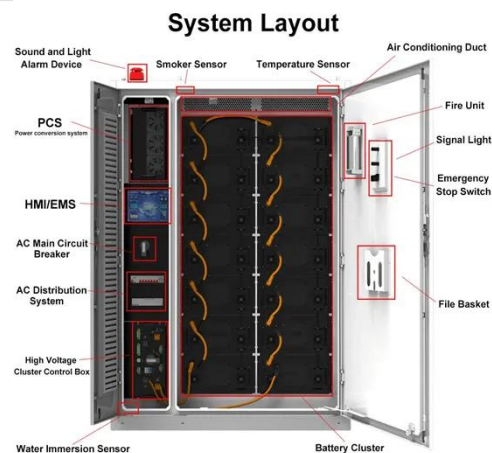
Brazil's new 2025 energy storage regulations create urgent opportunities for businesses to pair solar with lithium batteries. Here's why: Overloaded grids cause interconnection delays for DG ...

[Get Price](#)

Battery energy storage systems in Brazil: current regulatory and

Explore Brazil's battery energy storage systems, focusing on current regulations, investment opportunities, and the role of these systems in the energy transition.

[Get Price](#)



Energy Storage Cabinet in Brazil: Solving Grid Instability with Cutting

Enter the energy storage cabinet --the unsung hero bridging Brazil's solar potential and grid reality. These modular systems have evolved far beyond simple battery boxes.

[Get Price](#)



High-Efficiency 200kW Battery

Storage Solution

These systems, which use advanced lithium-ion batteries, offer a reliable method for storing and managing electrical energy. The containerized format makes 200kW battery storage systems highly ...

[Get Price](#)



Why Brazilian Energy Storage Cabinet Manufacturers Are Powering ...

Brazilian energy storage cabinet manufacturers are riding a wave of unprecedented demand, and here's why: imagine a country where 85% of electricity comes from renewables but still ...

[Get Price](#)

Brazil Energy Storage Auction 2026: New Capacity Market to Unlock

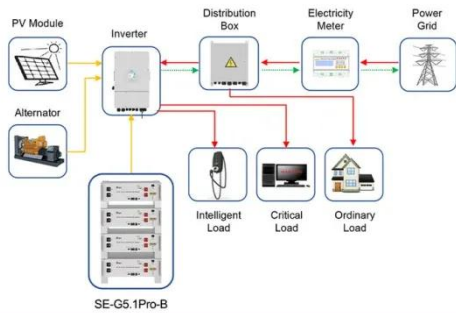
For Brazil, the 2026 auction could serve as a watershed moment -- defining not just how storage integrates into its National Interconnected System, but how the country approaches reliability ...

[Get Price](#)



200kWh-241kWh High Voltage Lithium Battery Energy Storage ...

BSLBATT ESS-GRID Cabinet Series is an



Application scenarios of energy storage battery products

industrial and commercial energy storage system available in capacities of 200kWh, 215kWh, 225kWh, and 245kWh. It offers peak shaving, energy backup, ...

[Get Price](#)

Commercial & Industrial Storage BESS System 200kWh, 220kWh, ...

This article introduces GSL ENERGY's dual-cabinet GSL-BESS50kVA high-voltage hybrid integrated energy storage system, which covers a capacity range of 200kWh to 315kWh and features ...

[Get Price](#)



200kWh 215kWh 225kWh 245kWh C& I ESS Battery System , BSLBATT

The C& I ESS Battery System is a standard solar energy storage system designed by BSLBATT with multiple capacity options of 200kWh / 215kWh / 225kWh / 245kWh to meet energy needs such as ...

[Get Price](#)

Brazil bets big on batteries - pv magazine International

Solar deployment has been a success story in Brazil, but the need for more battery energy storage capacity is

increasingly urgent. The Brazilian energy storage market is at a turning

[Get Price](#)



Contact Us

For catalog requests, pricing, or partnerships, please visit:
<https://www.k3gizycko.pl>

