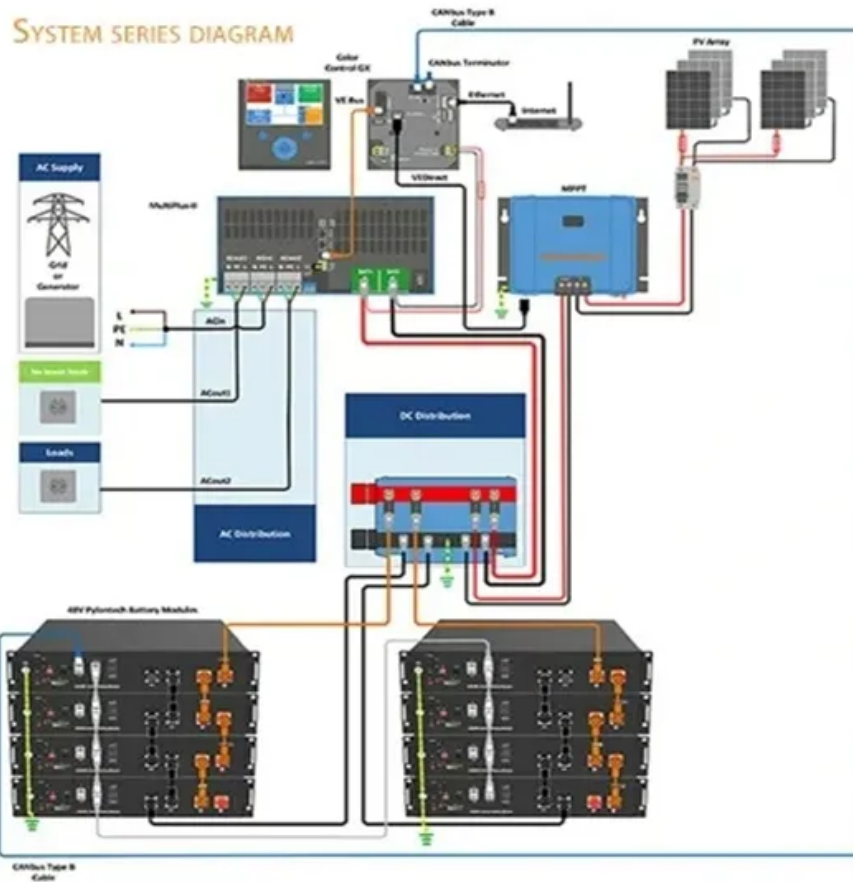


Belarus solar energy market



Overview

Rising solar energy use in Belarus emerged as a major market driver, accelerating the growth of the renewable energy sector. Belarus has moderate solar energy potential. Although the country experiences long winters and frequent cloud cover, solar irradiation levels during spring and summer are sufficient for solar installations. While irradiation is lower compared to southern Europe, it is suitable for residential. Retrieved Novem, from <https://ineaconsulting.eu/en/news-en/biggest-solar-pv-power-plant-55-mw-is-launched-into-operation-in-belarus> ENF Solar. 62 Million in 2024 and likely to grow to USD 833. Meaning Renewable energy refers to energy sources that are naturally replenished and have a minimal impact on the. In 2024, Belarus solar power capacity saw a decline with the installation of only 0.93% compared to the previous year.

Belarus solar energy market



Belarus Renewable Energy

The Belarus Renewable Energy Market is expected to register a CAGR of greater than 18% during the forecast period. The market was negatively impacted by COVID-19. Presently the market has now reached pre ...

[Get Price](#)

Belarus Renewable Energy Market - Size, Share, Trends, Analysis

Solar Power Insights: Solar power is a rapidly growing segment in the Belarus renewable energy market. Falling solar panel costs, government incentives, and increasing consumer awareness are driving the adoption of ...

[Get Price](#)



CE UN38.3 MSDS



Belarus Renewable Energy Market Size, Share, Scope ...

Rising solar energy use in Belarus emerged as a major market driver, ...

[Get Price](#)

Belarus Solar Energy Industry

Outlook 2024

The surge in solar energy demand in Belarus has been notable since 2022, with consumption rising by 24.6% year over year. In the global context, Belarus was ranked 26th in 2023 for solar energy consumption.

[Get Price](#)



Belarus Solar Power Market Outlook

Blackridge Research's Belarus Solar Power Market Outlook report consolidate the developments and build a perspective on growth from the point of view of the solar sector, in its current and future role.

[Get Price](#)

Belarus Renewable Energy Market Size, Share, Scope & Forecast

Rising solar energy use in Belarus emerged as a major market driver, accelerating the growth of the renewable energy sector. The Ministry of Energy expects solar installations to increase by 65% by 2023, reaching a ...

[Get Price](#)



Exploring Belarus's Emerging Solar Energy Market

Belarus is gradually supporting renewable energy growth: Belarus may

not be the sunniest country in Europe, but its moderate solar potential -- combined with growing interest in energy security and sustainability -- ...

[Get Price](#)



Solar Energy

Belarus is increasingly investing in solar energy initiatives, aiming to diversify its energy sources and enhance sustainability amidst regional energy challenges. The solar energy



[Get Price](#)



- IP65/IP55 OUTDOOR CABINET
- OUTDOOR MODULE CABINET
- OUTDOOR ENERGY STORAGE CABINET
- 19 INCH

Belarus Renewable Energy Market Growth Report 2030

The Belarus Renewable Energy Market is growing at a CAGR of greater than 18% over the next 5 years. Belzarubezhstroy, Guris Construction Engineering Co. Inc., Green Genius, China National Electric ...

[Get Price](#)

Belarus Solar Panel Manufacturing Report , Market Analysis

Explore Belarus solar panel manufacturing landscape through detailed market analysis, production statistics, and industry insights.

Comprehensive data on capacity, costs, and growth.

[Get Price](#)



Belarus Renewable Energy Market Size, Outlook & SAM/SOM 2026-2033

These developments are expected to catalyze market growth, enhance technological adoption, and improve the competitive positioning of renewable energy players in Belarus over the short to

[Get Price](#)

Contact Us

For catalog requests, pricing, or partnerships, please visit:
<https://www.k3gizycko.pl>

