

# 7 4v solar battery cabinet lithium battery pack three-hole



## 7 4v solar battery cabinet lithium battery pack three-hole



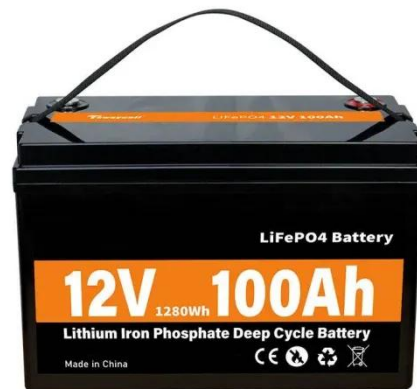
### Solar Battery 7.4V

The main categories of 7.4V solar batteries include: Lithium-Ion Batteries: Known for their high energy density and lightweight characteristics, these batteries are commonly used in consumer electronics ...

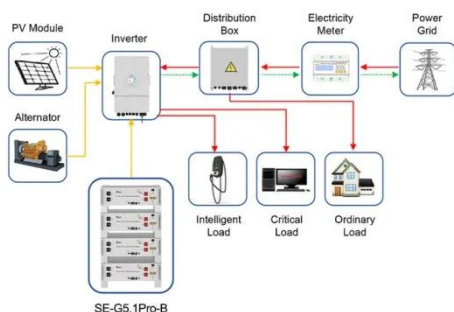
[Get Price](#)

### High capacity 7.4V 9600mAh 2S3P 18650 lithium ion battery pack ...

TOPWELL POWER-Our main products are lithium polymer battery, lithium ion battery, lithium iron phosphate battery and Li-SOCI2 battery. And with special advantages in energy storage battery and ...



[Get Price](#)



Application scenarios of energy storage battery products

### 2S1P 7.4v battery pack NCR18650B panasonic ...

2. Model: 2S1P Li-ion 7.4V 18650 battery pack with protection circuit module

[Get Price](#)

### 7.4V 2600mAh 18650 Li-ion Battery

## Pack Supplier

Himax Electronics offers high-performance 7.4V 2600mAh 18650 Li-ion battery packs for solar lighting, surveillance, EVs, and energy storage systems. Features long cycle life, low internal resistance, built ...

[Get Price](#)



## 7.4 V Lithium Battery Pack

7.4 V Lithium Battery Pack Explore our 7.4V lithium-ion battery packs, perfect for powering a wide range of devices, from drones and medical devices to portable electronics. These ...

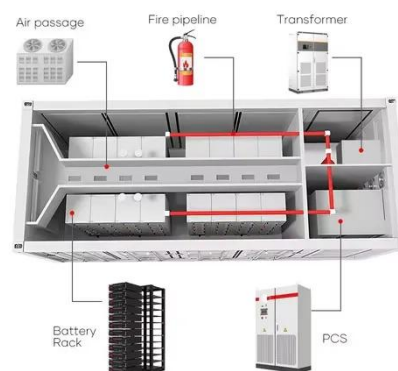
[Get Price](#)



## 7.4v Lithium Battery Pack

DNK Power is a custom Rechargeable 12v lithium ion battery manufacturer based in China, We have In stock small and compact 7.4V lithium battery pack, capacity from 5ah, 10ah, 15ah, 20ah, 40ah and ...

[Get Price](#)



## 7.4V Lithium-ion Battery Pack - Pkcell Battery

As a leading lithium-ion battery cell manufacturer, PKCELL specializes in creating high-performance custom battery packs tailored to your unique

needs. Our packs feature advanced Battery ...

[Get Price](#)



## Battery Packs

AT: Tenery Li-Ion 18650 7.4V 5200mAh Square Rechargeable Battery Pack w/ PCB (2S2P, 38.48Wh, 5A Rate, Bare Leads + Hitec Connector)

[Get Price](#)



## FLEXIBLE SETTING OF MULTIPLE WORKING MODES



## High capacity 7.4V 9600mAh 2S3P 18650 lithium ...

TOPWELL POWER-Our main products are lithium polymer battery, lithium ion ...

[Get Price](#)

## 7.4 V Battery Packs , Electronic Components Distributor DigiKey

7.4 V Battery Packs A battery pack is a set of any number of battery cells connected and bound together to form a single unit with a specific configuration

and dimensions. They may be configured in series, ...

[Get Price](#)



---

### INTEGRATED DESIGN

EASY TO TRANSPORT AND INSTALL,  
FLEXIBLE DEPLOYMENT



### 7.4V Lithium Battery Pack

Our 7.4V lithium battery packs can be tailored to meet your specific project needs, whether it's a custom shape, specific connectors, or a housing design.

[Get Price](#)

---

## Contact Us

For catalog requests, pricing, or partnerships, please visit:  
<https://www.k3gizycko.pl>

