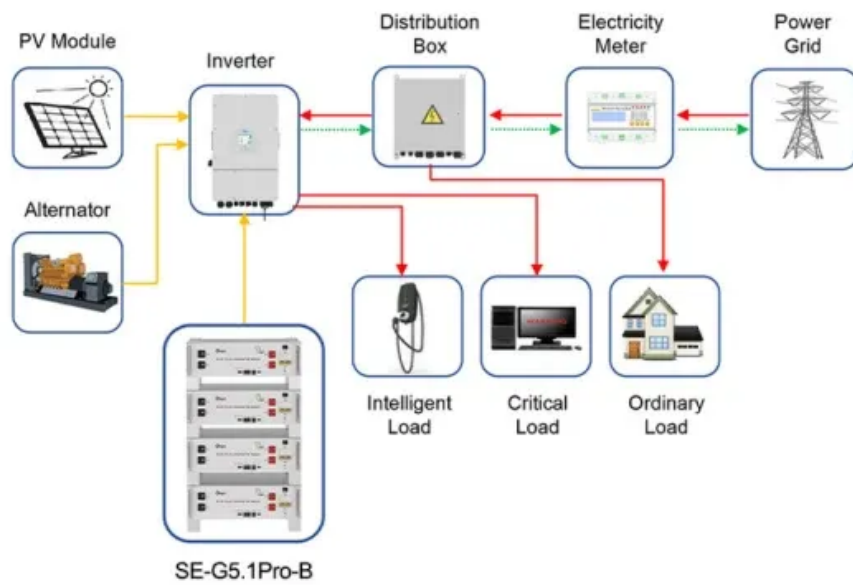


# 500kW Data Center Battery Cabinet for Tunnels



Application scenarios of energy storage battery products



## 500kW Data Center Battery Cabinet for Tunnels

---



### 500kW Battery Energy Storage System

Each BESS container has either a 300kW or 500kW PCS system offering a complete, install ready energy storage system. All system systems are offered with either 400VAC or 480VAC 3 phase ...

[Get Price](#)

---

### 500kW~2MW Battery Energy Storage System (BESS)

Discover the 500kW~2MW Battery Energy Storage System (BESS) by Chennuo Electric. Offering grid integration, efficient power management, and large-scale storage, this containerized system is ...



[Get Price](#)

---



### Container ESS 500kW/1053kWh

The RS485 certified Outdoor ESS Cabinet has a robust and rugged internal and external structure. It is delivered >95% pre-assembled, having already been manufactured, assembled, commissioned, and ...

[Get Price](#)

---

### Outdoor Energy Storage System

## from 500 kVA/1116 kWh to 500 ...

Battery cabinets are shipped completely assembled with internal modules mounted - for maximum quality with the minimum transportation costs and installation time.

[Get Price](#)



## Vertiv(TM) EnergyCore, Lithium Ion Battery Cabinet

The Vertiv(TM) EnergyCore Li5 and Li7 battery systems deliver high-density, lithium-ion energy storage designed for modern data centers. Purpose-built for critical backup and AI compute loads, they ...

[Get Price](#)

## PAC Lithium Battery Energy Storage Container System 500kW 1MWh ...

PAC Lithium Battery Energy Storage Container System 500kW 1MWh BESS. Unlike traditional multiple battery cabinets connected in parallel and then connected to the DC side of the PCS, our company ...



[Get Price](#)

## 500kW 1MWh Microgrid Industrial Battery Energy Storage System

Easily upgradable from 500kW to 1MW of energy storage, storing up to 3.8MWh



of energy, enough to power an average 3,600 homes for one hour.

[Get Price](#)

### ESS-GRID FlexiO Series 500kW 1MWh Battery Microgrid Outdoor ...

Upgrade to ESS-GRID FlexiO 500kW 1MWh outdoor energy storage with expandable DC and AC-side capabilities, perfect for microgrids, commercial, and industrial sites.

[Get Price](#)



### Stationary Energy Storage , SBE500 , Generac

Generac's SBE500 battery energy storage system is our latest addition to a portfolio of products and technologies helping commercial and industrial customers to meet their current and future energy goals.

[Get Price](#)

## Contact Us

For catalog requests, pricing, or partnerships, please visit:  
<https://www.k3gizycko.pl>

