

# 30kW IP66 Battery Cabinet for Field Research

**ESS**



## 30kW IP66 Battery Cabinet for Field Research

---



### Sunrange Outdoor Battery Cabinet 30kw 50kw 80kwh 100kwh IP66 ...

Sunrange Outdoor Battery Cabinet 30kw  
50kw 80kwh 100kwh IP66 Waterproof  
Outdoor Custom Rack Charger Solar  
Battery Rack DIY Outdoor

[Get Price](#)

### 30KW/90KWH Commercial & Industrial ESS - Outdoor ...

The outdoor energy storage cabinet,  
with the standard configuration of 30  
kW/90 ...

[Get Price](#)



### SRB6 Battery Cabinet , Up to 30 kWh , Outdoor-rated , Floor-Mount

The SRB6 Battery Cabinet is an outdoor-  
rated enclosure that can hold up to 6x  
SR5K-UL battery modules for a total  
energy capacity of 30 kWh. The cabinet  
is outdoor-rated with automatic,  
temperature-controlled cooling ...

[Get Price](#)



### AES RACKMOUNT 30 KWH SLIMLINE

## ENCLOSURE

GRID SOLAR AND WHOLE HOME BACKUP POWER. Indoors or outdoors, the AES RACKMOUNT 30 kWh Slimline Enclosure is economical, installs fast and offers the smallest footprint for 30k kWh of energy ...

[Get Price](#)



## 30KW/90KWH Commercial & Industrial ESS - Outdoor Cabinet

The outdoor energy storage cabinet, with the standard configuration of 30 kW/90 kWh, is composed of a battery cabinet and an electrical cabinet. It can apply to demand regulation peak shifting C& I energy storage, etc.

[Get Price](#)

## Commercial & Industrial ESS - Outdoor Cabinet

Looking for a versatile outdoor energy storage solution? Check out our 30 kW/90 kWh cabinet! Perfect for demand regulation, peak shifting, and C& I energy storage, with a flexible split design and easy. Individual ...

[Get Price](#)



## Energy Storage Cabinet Outdoor 20KW 50KWh/ 30KW 60KWh

This energy storage cabinet is a PV energy storage solution that combines



high-voltage energy storage battery packs, a high-voltage control box, an energy storage PV inverter, BMS, cooling systems (an AC-powered air ...

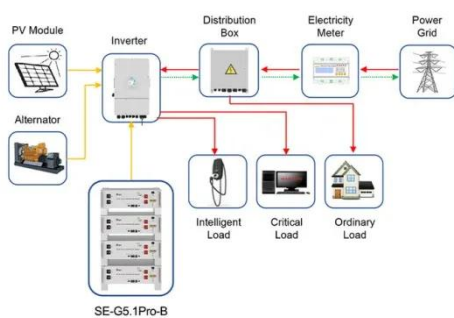
[Get Price](#)

### AlphaESS STORION-H30 Energy Storage Cabinet For Sale, Large Scale

This air-cooling outdoor cabinet is now available on the market with a 30kW hybrid-coupled system, capable of both on-grid and off-grid operations. Additionally, H30 could be programmed to discharge and meet the ...



[Get Price](#)



Application scenarios of energy storage battery products

### AlphaESS STORION-T30 Outdoor Battery Cabinet, Battery and ...

AlphaESS is able to provide outdoor battery cabinet solutions that are stable and flexible for the requirements of all our customer's battery and energy storage demands.

[Get Price](#)

### Industrial & Commercial ESS HV , 30KW + 66KWH All-in-One Energy ...

Transform your business energy usage with the ESS HV 30KW+66KWH - a

powerful, elegantly designed all-in-one energy storage system crafted for modern commercial and industrial applications.

[Get Price](#)



### **Bluesun IP66 Outdoor Cabinet Wind Solar Hybrid Power Energy ...**

Specializing in research and development of solar panel, lithium battery and BMS. Bluesun product has exported to more than 185 countries and regions since 2022.

[Get Price](#)

## **Contact Us**

For catalog requests, pricing, or partnerships, please visit:  
<https://www.k3gizycko.pl>

