

# 150kW Modular Battery Cabinet in USA



## 150kW Modular Battery Cabinet in USA

---



### **GVSUPS150KGS**

Highly efficient, easy-to-deploy 150kW, 480V 3-phase UPS that brings best-in-class power protection and low total cost of ownership to edge, small and medium data centers, as well as to critical ...

[Get Price](#)

---

### **150 kWh Battery Commercial Battery Backup**

150 kWh battery finds extensive applications in home energy storage, public utility storage, commercial storage, and industrial storage. Energy storage system projects play a vital role in transitioning ...



[Get Price](#)

---



### **Xtreme Power Conversion X905S 150 kVA (#9244)**

The X90-5S is a scalable modular online double conversion UPS that protects critical data and equipment from power problems while supplying clean and reliable network grade power.

[Get Price](#)

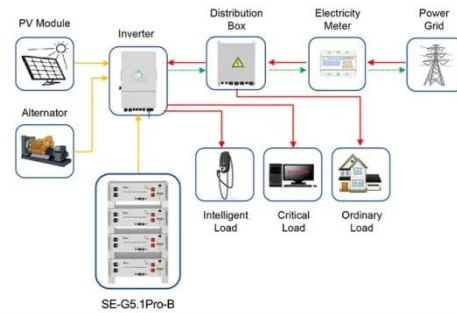
---

### **150 kWh Battery Commercial**

## Battery Backup

150 kWh battery finds extensive applications in home energy ...

[Get Price](#)



Application scenarios of energy storage battery products



## GVSUPS150KGS

Highly efficient, easy-to-deploy 150kW, 480V 3-phase UPS that brings best-in-class power protection and low total cost of ownership to edge, small and medium data centers, as well as ...

[Get Price](#)

## 150kwh Battery Storage Systems

Operates and maintains 24/7, capable of remote operation and unattended automatic control strategy adjustment based on load. Each cabinet occupies less than 3 square meters, with ...

[Get Price](#)



## 50 to 200kW Battery Energy Storage Systems

Utilizing Tier 1 LFP battery cells, each commercial BESS is designed for a install friendly plug-and-play commissioning. Each system is constructed in a



environmentally controlled container including PCS, ...

[Get Price](#)

### Galaxy VS Maintenance Bypass Cabinet with Output Transformer ...

APC Trade-UPS is a 1-phase UPS program that offers new and existing customers the ability to trade in older battery backup units for the most up-to-date 1-phase power protection models at discounted ...



[Get Price](#)



### 150000va Vertiv eXM UPS 150kw 480v Delta w/BattCabinet

Condition:Refurbished and tested for performance Parts Included: Main unit, Sidecard bypass, 1200mm battery cabinet, 36 - 350w CD batteries and netcard Warranty: 15 months on unit and batteries ...

[Get Price](#)

### Galaxy VS , Schneider Electric USA

The Schneider Electric Galaxy VS is a highly efficient, easy-to-deploy, modular three-phase uninterruptible power

supply ideal for critical IT and industrial facilities.

[Get Price](#)



### **Vertiv eXM 150kva UPS 480v Delta Modular 150kw 3cab w/ 75ah ...**

Load tested and Seasoned for 30days. This bundle include 3 cabinets: UPS, Batt, and Sidecar Bypass." Input plugs changed at no charge. UPSes are our only Business. We are a ...

[Get Price](#)

## **Contact Us**

For catalog requests, pricing, or partnerships, please visit:  
<https://www.k3gizycko.pl>

