

12V solar panel light sensor switch



12V solar panel light sensor switch



Solar Wiring Secrets: Light Sensor & Automatic Switch

ITEMS used in this tutorial include Solar Panels, 2 MCB, Charge Controller, Battery, Inverter, LDR, ATS Ac Bulb, Neutral bars, earth bar, energy meter. WHAT

[Get Price](#)

12V Photocell Dusk-to-Dawn Sensor Switch Photocell ...

This heavy-duty sensor switch is perfect for any 12VDC lamps or ...

[Get Price](#)



12v photocell products for sale

Get the best deals on 12v photocell when you shop the largest online selection at eBay . Free shipping on many items , Browse your favorite brands , affordable prices.

[Get Price](#)



Amazon : 12 Volt Solar Switch

Proshopping DC 12V Photocell Switch, Auto On/Off Light Photoelectric Switch for Outdoor, Dusk to Dawn Photo Control Sensor, Hard-Wired Post Eye Light Control, Auto Day Night Sensor (12V DC, 6A)

[Get Price](#)



Solar panel light sensor switch

Discover solar panel light sensor switches with dusk-to-dawn automation, IP65 waterproofing, and 50,000-hour lifespan for reliable outdoor lighting control.

[Get Price](#)

12V Light Sensor Switch 10A

12V Light Sensing Switch to automatically turn lights on at dusk and off at dawn. 12V model to wire 12V LEDs direct from the battery via this switch. Suitable for: street light, highway, factories, garden, ...

[Get Price](#)



12V Photocell Dusk-to-Dawn Sensor Switch Photocell Photocontrol

This heavy-duty sensor switch is perfect for any 12VDC lamps or other loads up to 75W that you want to turn on at dusk, and turn off again at dawn. Perfect for

switching anchor lights, dock ...

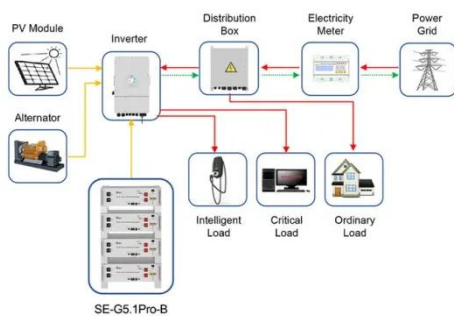
[Get Price](#)



12v Photocell timer light switch

Specially designed for use with solar power systems, but suitable for other 12V applications. Great way of controlling external lighting, water pumps connected to a solar power system with a 12V DC ...

[Get Price](#)



Application scenarios of energy storage battery products

Morningstar SL-10L-12 Solar Lighting Controller

Provides 10 Lighting options with accurate on-board timer and rotary digital switch (see back). User-adjustable for 2 to 10 hours ON or for ON all night. Unique ON/OFF/ON settings conserve energy ...

[Get Price](#)

12V Light Sensor Switch 10A

12V Light Sensing Switch to automatically turn lights on at dusk and off at dawn. ...

[Get Price](#)





DC 12V Light Control Switch - Photoresistor Relay Module

The DC 12V Light Control Switch Module with a built-in photoresistor (LDR) is a smart relay module that automatically switches devices on or off based on ambient light levels.

[Get Price](#)

Contact Us

For catalog requests, pricing, or partnerships, please visit:
<https://www.k3gizycko.pl>

